



BRINGS NATURE IN

**Polygal Inc. Hurricane Panel Installation Instructions-POLYGAL Hurricane Shutter  
16mmSG Stormguard 3; 16mm Titan Sky Stormguard 3D SHEETS.**

**Tested in accordance with FBC-204 – TAS 201, 202, 203; 2003 ICC, IRC,  
IBC; ASTM E 1886-02, E 1996-02; ASTM E 330-02**

***READ ALL INSTRUCTIONS BEFOR STARTING***

- 1. Not for openings larger than 42" x 90".***
- 2. Maximum sheet size 48" x 96".***
- 3. Sheets must be attached on all four sides in accordance with these instructions.***
- 4. Sheets must overlap opening a minimum of 3" on all four sides.***
- 5. Minimum installed separation between glass and 16mmSG Stormguard 3 panel is 5.0"***
- 6. Minimum installed separation between glass and 16mm Titan Sky Stormguard 3D panel is 5.0625"***
- 7. On each panel, provide a warning note: "Do not leave exposed longer than a hurricane event".***

Step 1 – **16mm SG sheets/16mm Titan Sky sheets** – Cut sheet width and length to **overlap opening on all sides 3"**. (Sheet "length" is the direction of flutes). ***Exterior UV treated surface*** has printed masking for 16mmSG and 16mm Titan Sky. Mark the exterior surface with marker pen before removing the masking. Install sheets so that the exterior UV treated surface is the side exposed to the sun.

Step 2 – **Marking Hole Points for Pre Drilling (all models-figure 1)**

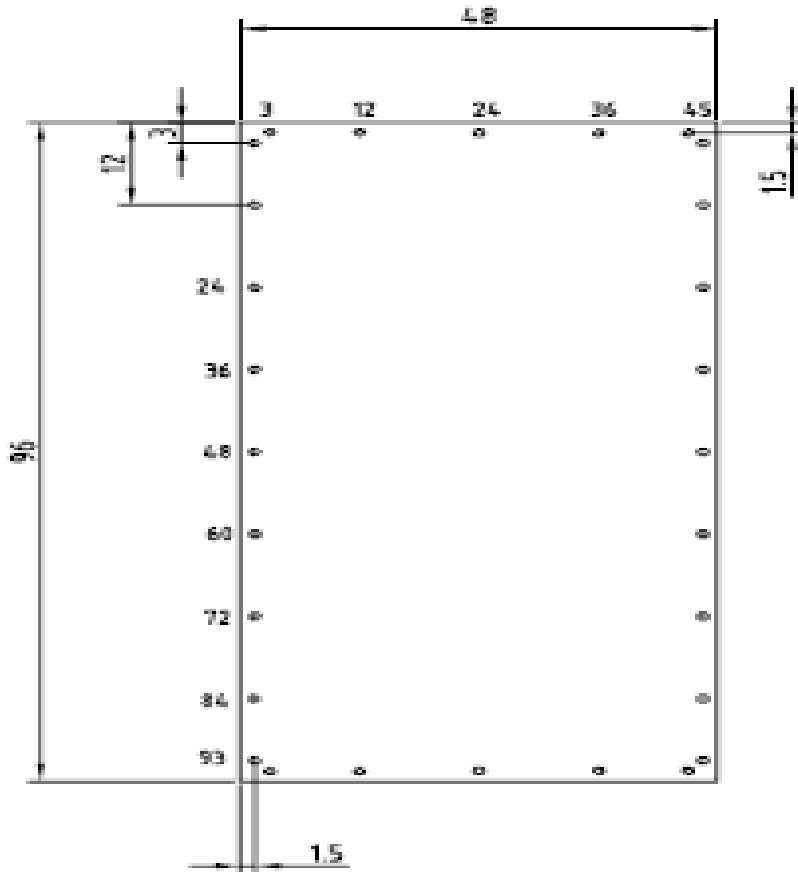
1. Starting at the upper left hand corner, measure down from the top edge 1 ½" and from the left edge measure to the right 3"-mark the point. Repeat to the right from the left edge at 12", 24", 36" and 45". (five fasteners across the top)
2. Starting at the upper left hand corner, measure toward the right from the left edge 1 ½" and measure down from the top edge 3"-mark the point. Repeat toward the bottom of the sheet at 12", 24", 36", 48", 60", 72", 84" and 93". (nine fasteners down the left edge)
3. Starting at the lower left hand corner, measure up from the bottom edge 1 ½" and from the left edge measure to the right 3"-mark the point. Repeat to the right from the left edge at 12", 24", 36" and 45". (five fasteners across the bottom)
4. Starting at the upper right hand corner, measure toward the left from the right edge 1 ½" and measure down from the top edge 3"-mark the point. Repeat toward the bottom of the sheet at 12", 24", 36", 48", 60", 72", 84" and 93". (nine fasteners down the right edge)



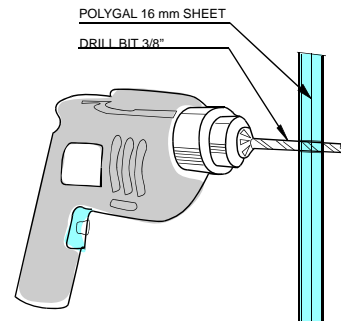
**POLYGAL Inc.**  
800-537-0095 E-mail: sales@polygalusa.com  
9405A D. Ducks Lane, Charlotte, NC, 28273

Step 2 – Figure 1

All dimensions in inch



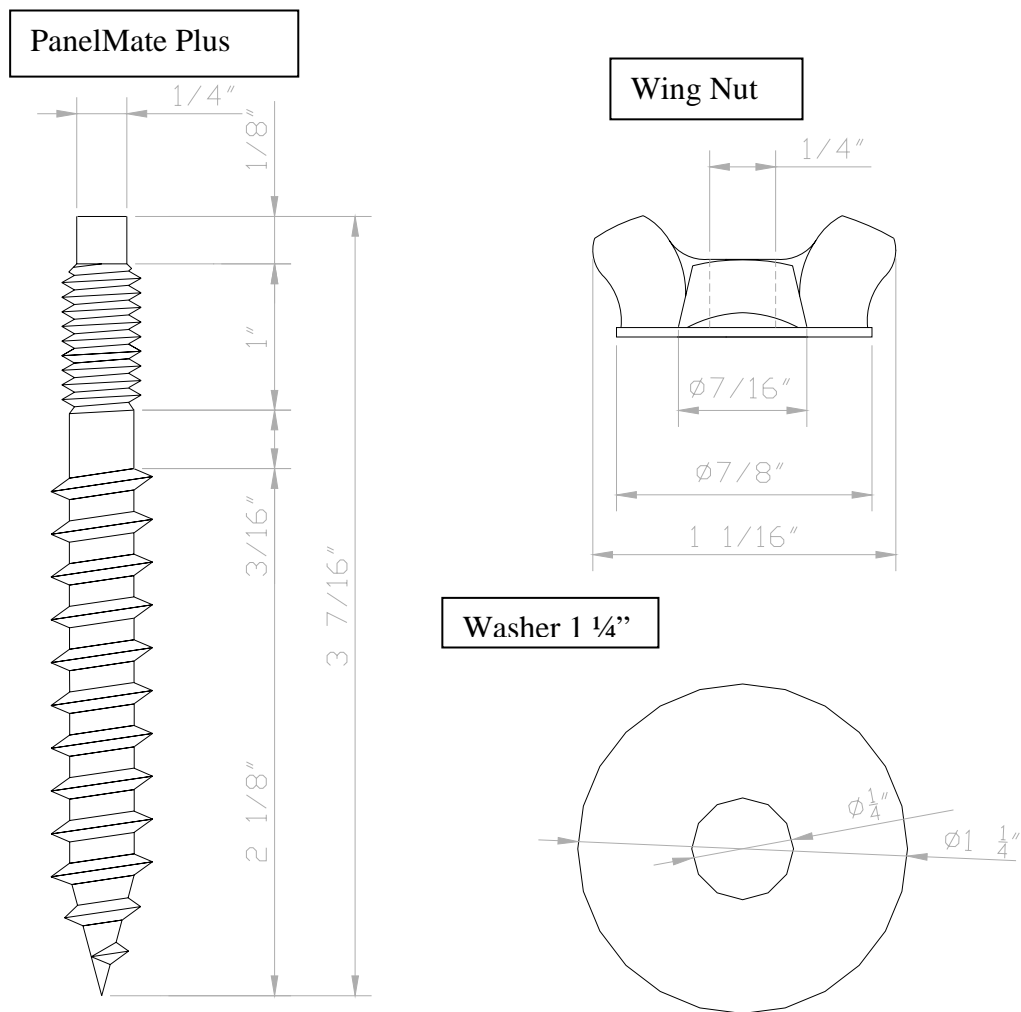
Step 3 – **Pre Drilling Fastening Holes** – Drill (3/8” drill bit) all marked points through polycarbonate sheet sheet.



Step 4 – **Marking Wall Fastening Points** - With the help of another person use the pre drilled sheet as a template. Position the pre drilled sheet against the wall of the building making sure that it is square and level, **and that all sides overlap the**

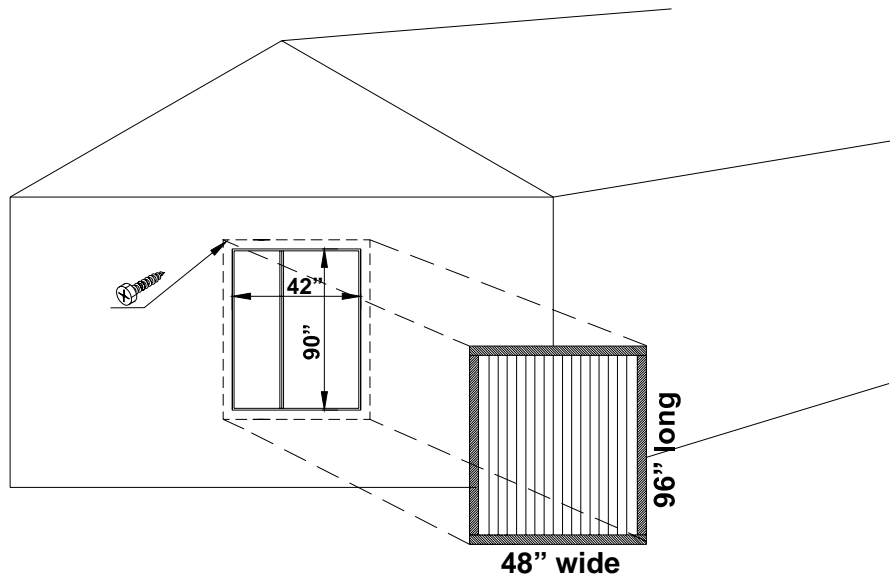
**opening 3"**. Using a marking pen, mark each pre drilled hole position on the concrete/wood wall.

Step 5 – **Mounting Hardware** – Using the “PanelMate Plus” manufacturers’ installation instructions, pre drill concrete/block wall where marked (Step 4); wood walls do not have to be predrilled. Install one “PanelMate Plus” anchor for each pre drilled hole (concrete) - for wood install at each template mark made upon the wall in step 4.



Step 6 – **Fixing Posts** – Install the pre drilled Polygal Stormguard sheet on the “PanelMate Plus” posts that have been installed in the wall. Place one 1 ¼” washer on each fixing post after sheet is in place; followed with one wing nut and tighten the wing nut to hold the sheet in place.

Step 7 – **Uninstall** – To uninstall, remove wing nuts and washers. Remove sheet and store in a protected space. Replace all washers, wing nuts into the “PanelMate Plus” posts for future reinstallation.



*The information above relates specifically to PCSS 16mmSG and 16mm Titan Sky made from a particular polycarbonate resin and is not relevant to any similar generic product. No liability is accepted for any loss or damage from the use of this data which is given in good faith, but without commitment, and no warranty is given or implied. Polycarbonate is a combustible thermoplastic. Avoid exposure to excessive heat or to aromatic solvents. Precautions used to protect other common combustibles should be followed. The values presented were obtained in laboratory conditions and represent test averages. Polygal retains the right to change said values without notice should future testing results dictate value changes.*