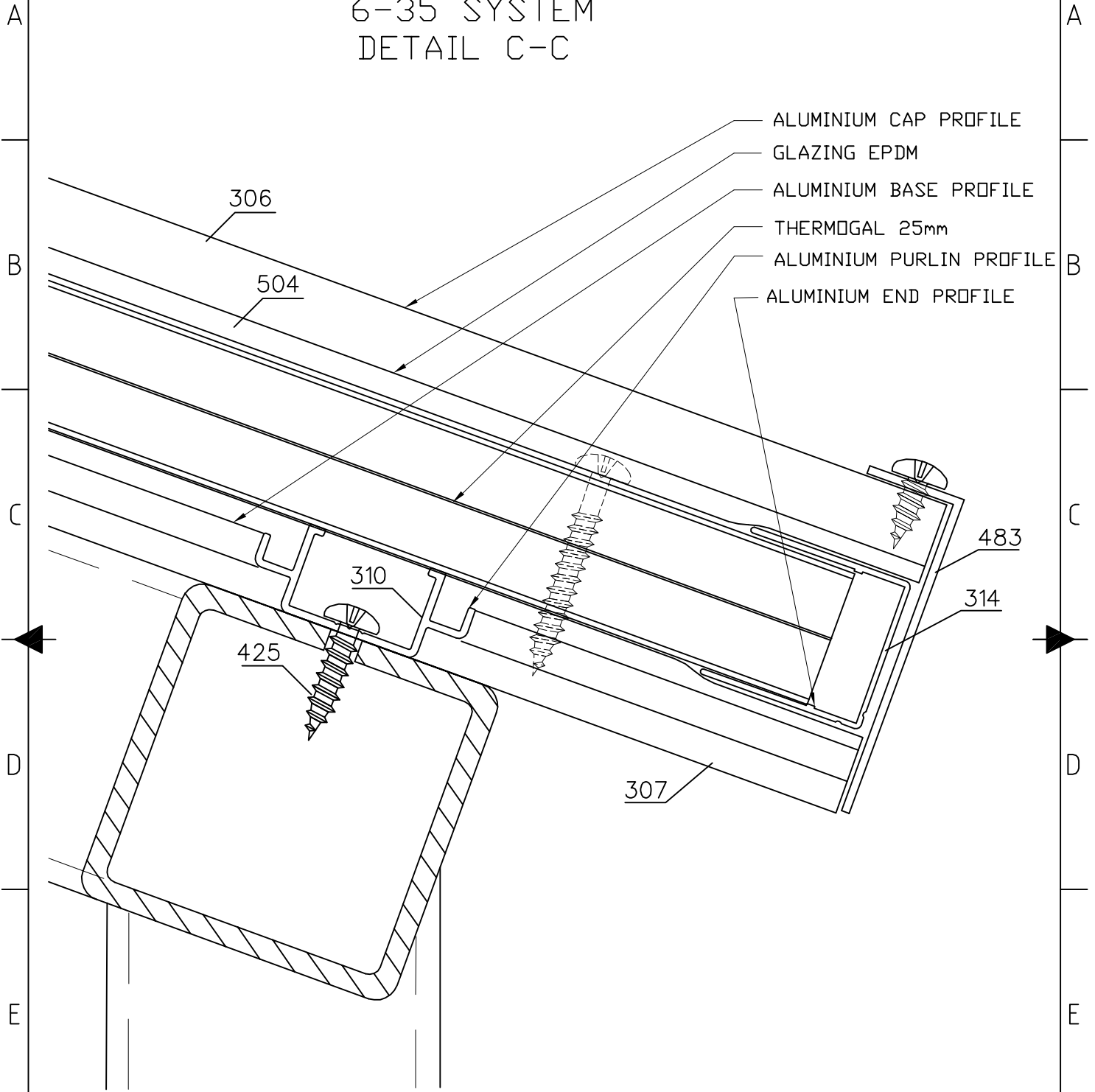


1	2	3	4
RevNo	Revision note	Date	Signature
			Checked

EDGE DETAIL

6-35 SYSTEM

DETAIL C-C



POLYGAL[®]

PLASTICS INDUSTRIES LTD.

* The information in these drawing is intended for review only. Polygal is not, and will not be responsible for any damage or loss caused by incorrect use of the drawing and/or erroneous interpretation of the drawing. Always consult with an architect and certified civil engineer when applying the drawing on building.

ITEM REF	QUANTITY	TITLE/NAME, DESIGNATION, MATERIAL, DIMENSION ETC	ARTICLE NO./REFERENCE
DESIGNED BY	CHECKED BY	APPROVED BY - DATE	FILENAME
			DATE
			SCALE
POLYGAL IL	RAMAT HASHOFET 19238 Tel: 972-4-9596222 Fax: 972-4-9596382, E-mail: sales@polygal.co.il		XXX
POLYGAL U.S.A Inc.	1227 Barberry Drive, Jenessville WI 53545 Fax: 1-608-757 1525 Tel: 1-608-757 1313, 1-800 537 0035 E-mail: sales@polygalusa.com		
POLYGAL U.K Ltd	2 North Crawley Road, Newport Pagnell Milton Keynes MK 15 9HG Tel: 44-1508-217 054 Fax: 44-1508-210 942 E-mail: polygal@btinternet.com		
			EDITION
			SHEET