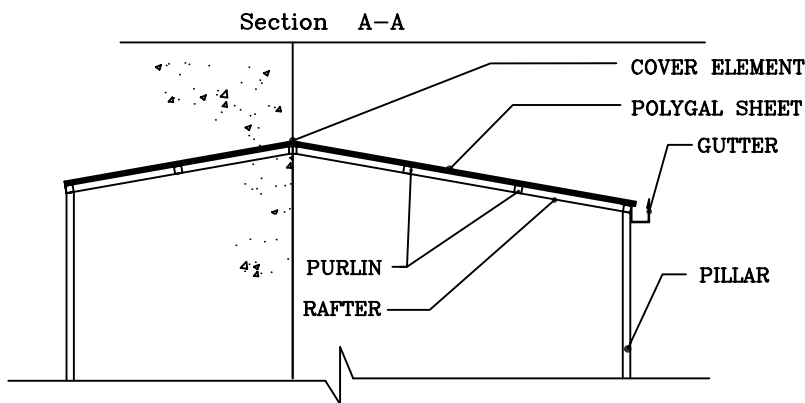
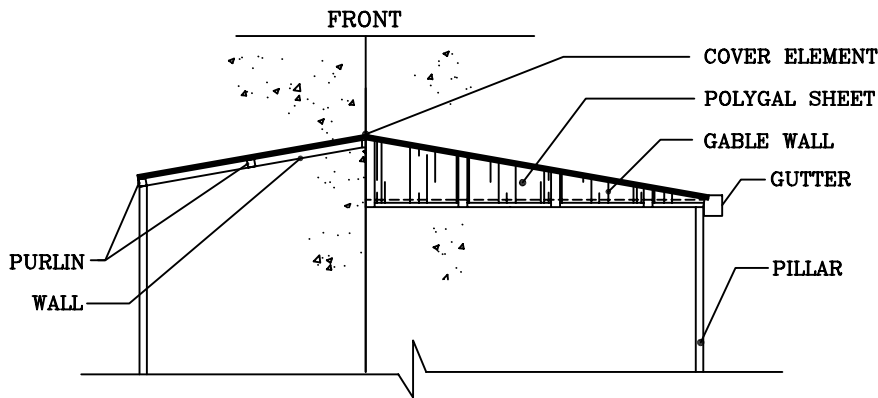
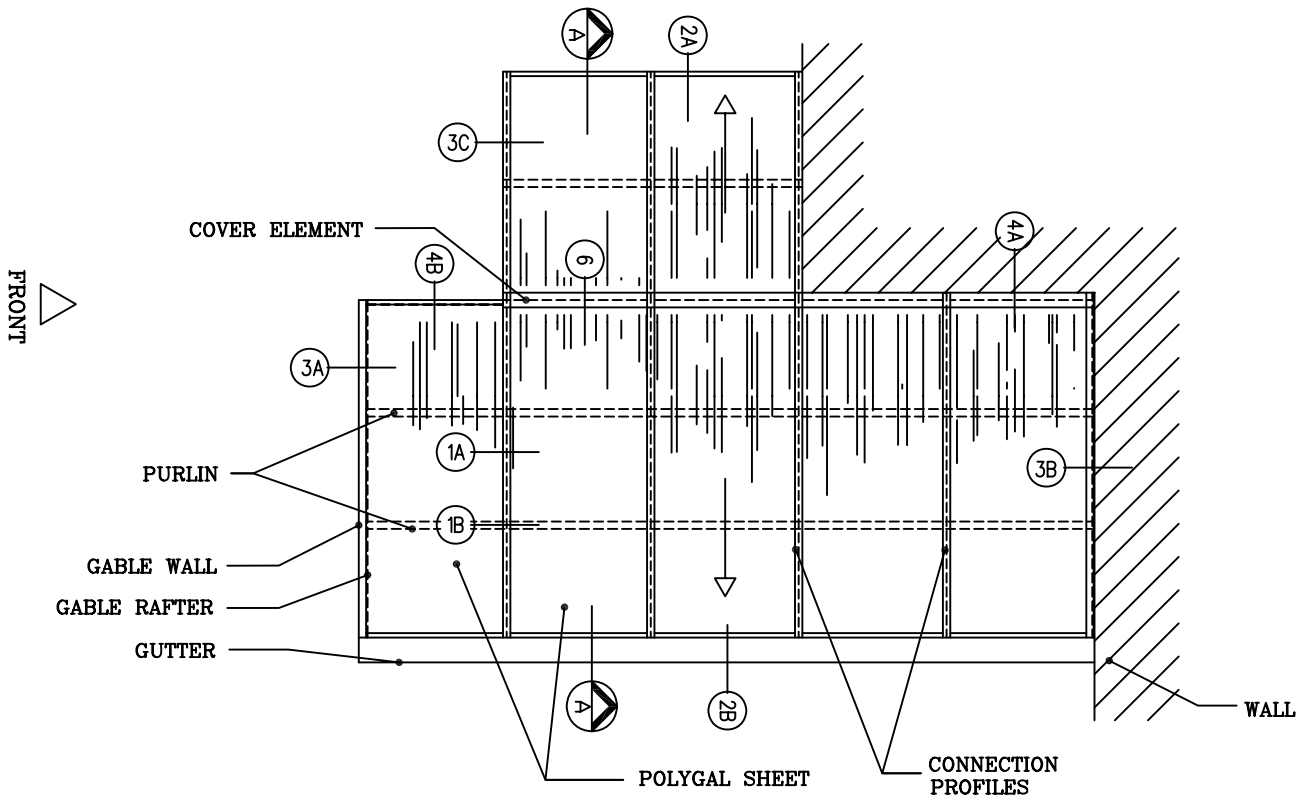


Roof Design – Pitched Structure



Drawing details

- 1A – SHEET CONNECTION ABOVE RAFTER
- 1B – SHEET CONNECTION ABOVE PURLIN
- 2A – BOTTOM EDGE DETAIL
- 2B – GUTTER CONNECTION DETAIL
- 3A – SIDE CONNECTION DETAIL TO GABLE WALL
- 3B – SIDE DETAIL – WALL CONNECTION
- 3C – SIDE CONNECTION DETAIL
- 4A – TOP EDGE CONNECTION DETAIL TO WALL
- 4B – TOP EDGE CONNECTION PROFILE
- 6 – RIDGE CONNECTION DETAIL

POLYGAL TECHNICAL SUPPORT
FOR REVIEW ONLY

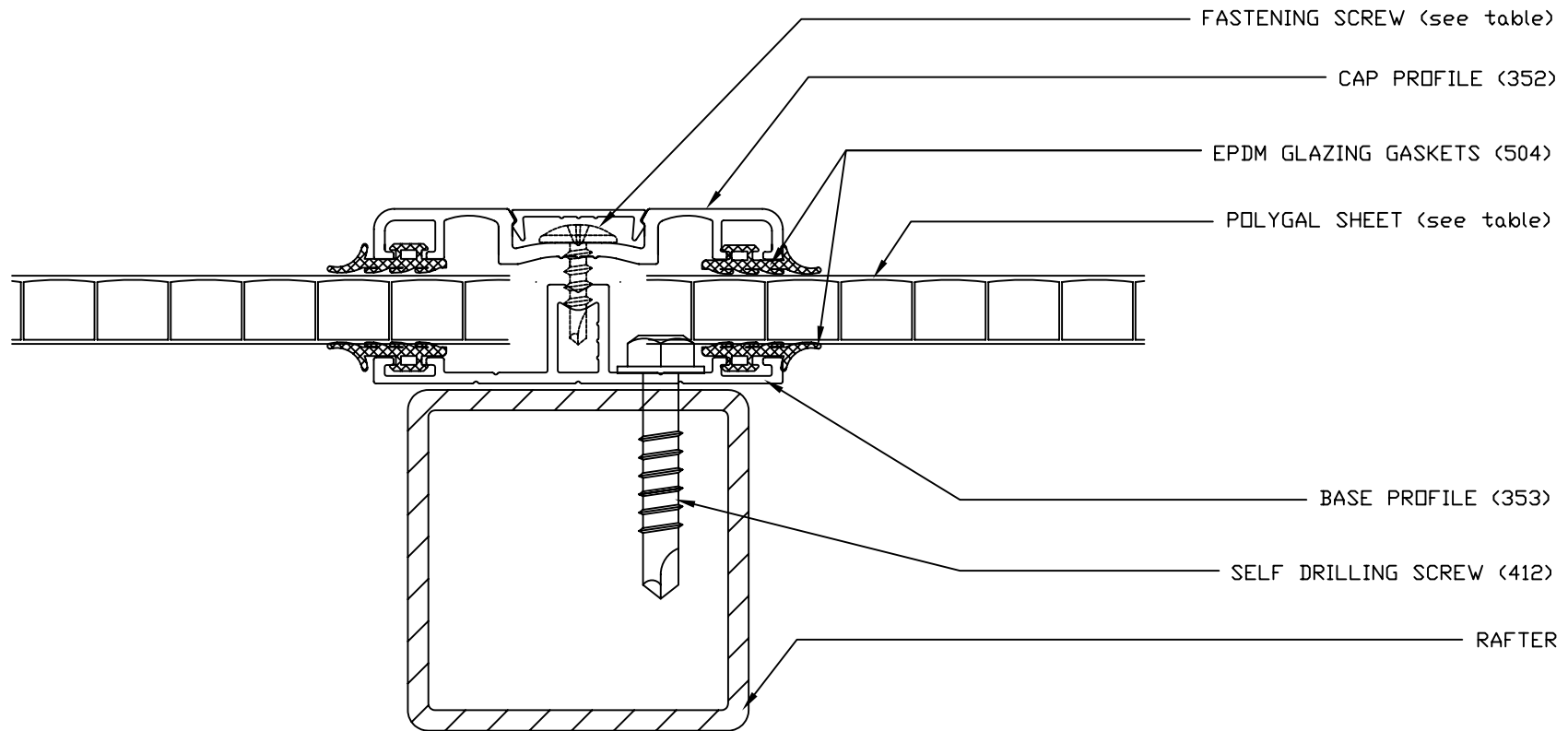
www.polygal.com · techsupport@polygal.com



BRINGS NATURE IN

CONNECTION DETAIL

MEGA LOCK ALUMINIUM GLAZING SYSTEM

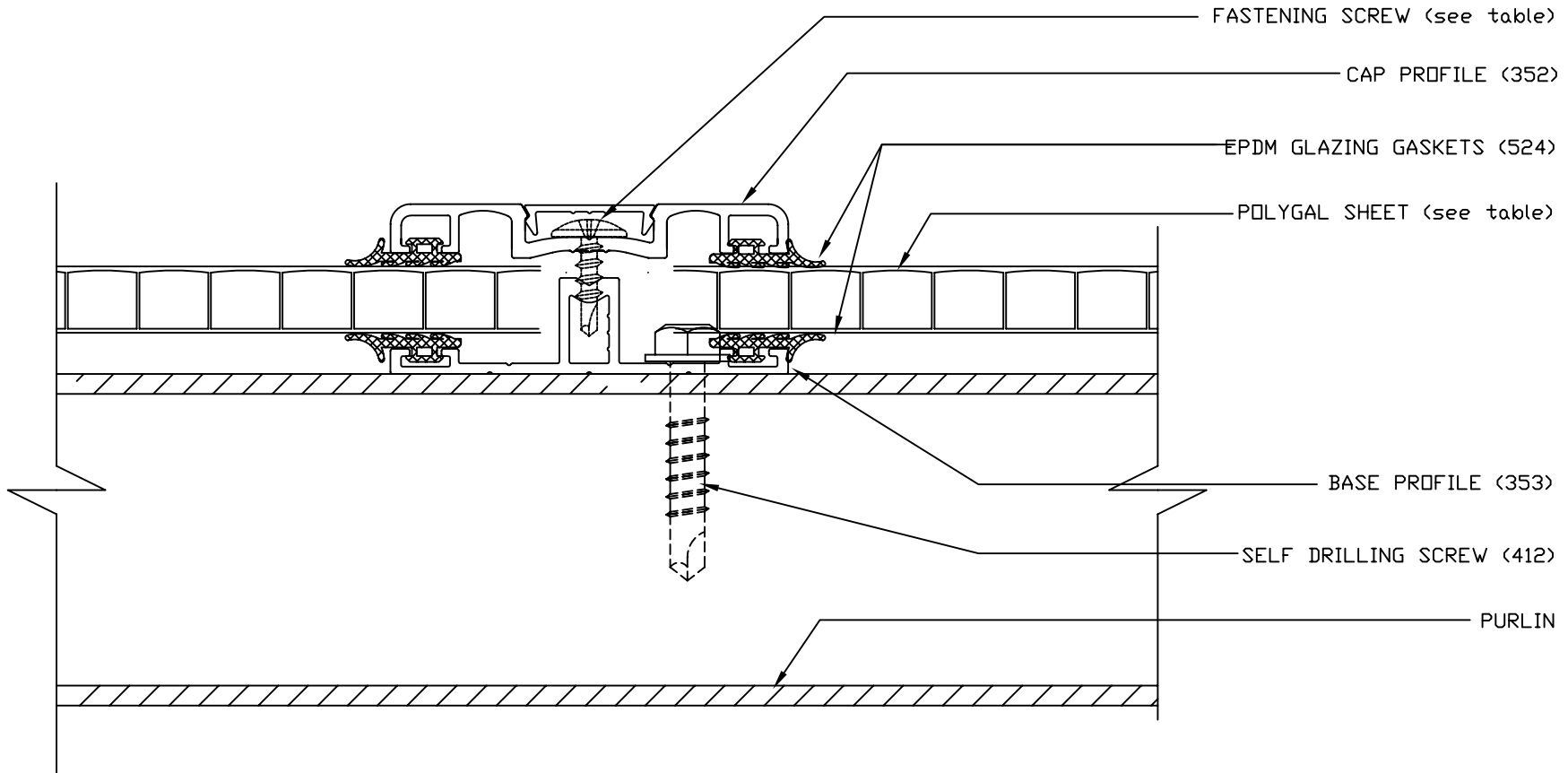


ACCESSORIES TABLE

| SHEET THICKNESS | SCREW # |
|-----------------|---------|
| 8 mm (5/16") | 431 |
| 10 mm (3/8") | 431 |
| 16 mm (5/8") | 430 |

CONNECTION DETAIL

Mega Lock ALUMINIUM GLAZING SYSTEM

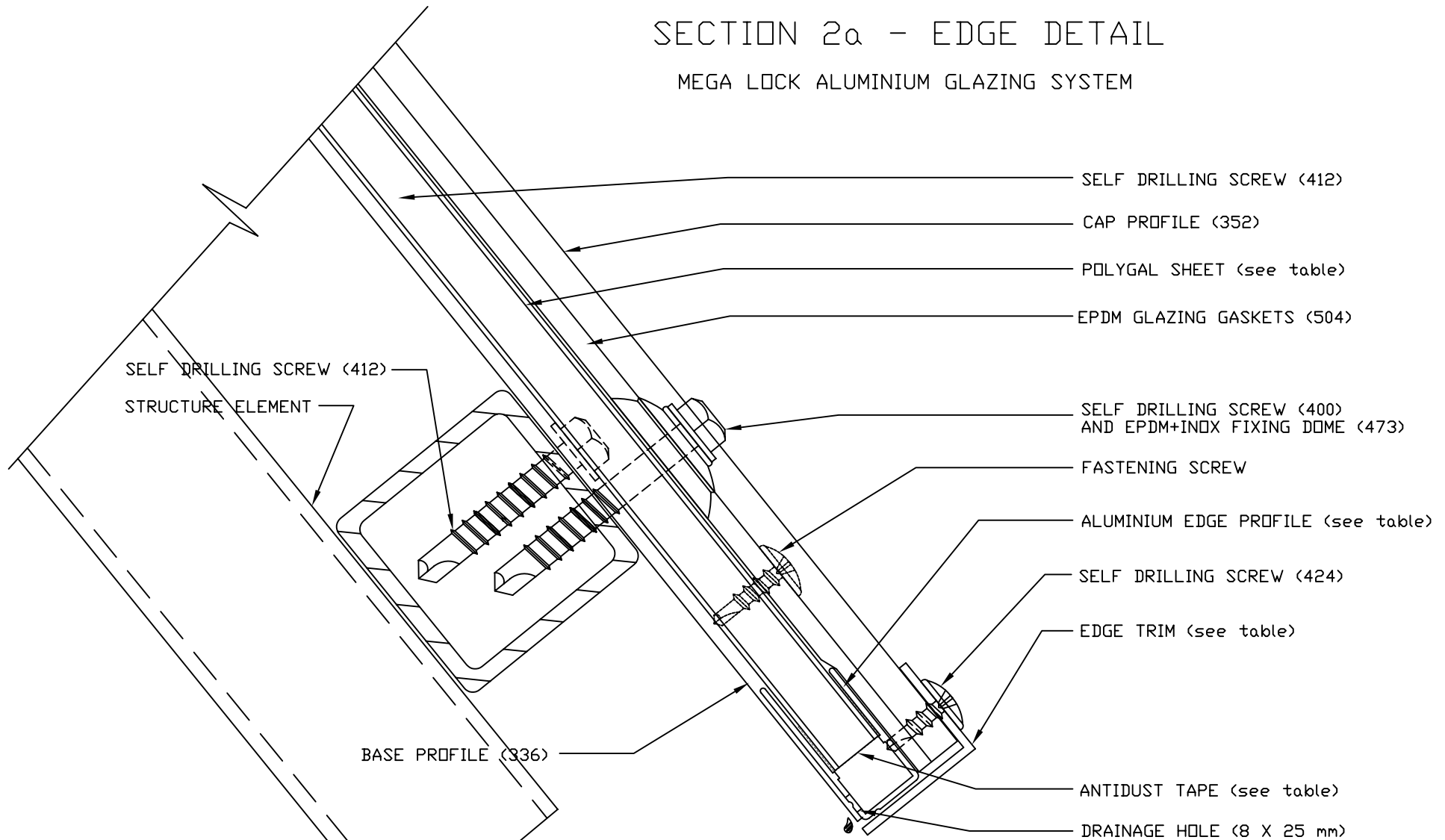


ACCESSORIES TABLE

| SHEET THICKNESS | SCREW # |
|-----------------|---------|
| 8 mm (5/16") | 431 |
| 10 mm (3/8") | 431 |
| 16 mm (5/8") | 430 |

SECTION 2a - EDGE DETAIL

MEGA LOCK ALUMINIUM GLAZING SYSTEM



ACCESSORIES TABLE

| SHEET THICKNESS | EDGE PROFILE# | SCREW# | ANTIDUST TAPE | EDGE TRIM# |
|-----------------|---------------|--------|---------------|------------|
| 8 mm (5/16") | 311 | 431 | 508 | 481 |
| 10 mm (3/8") | 312 | 431 | 509 | 481 |
| 16 mm (5/8") | 313 | 430 | 509 | 482 |

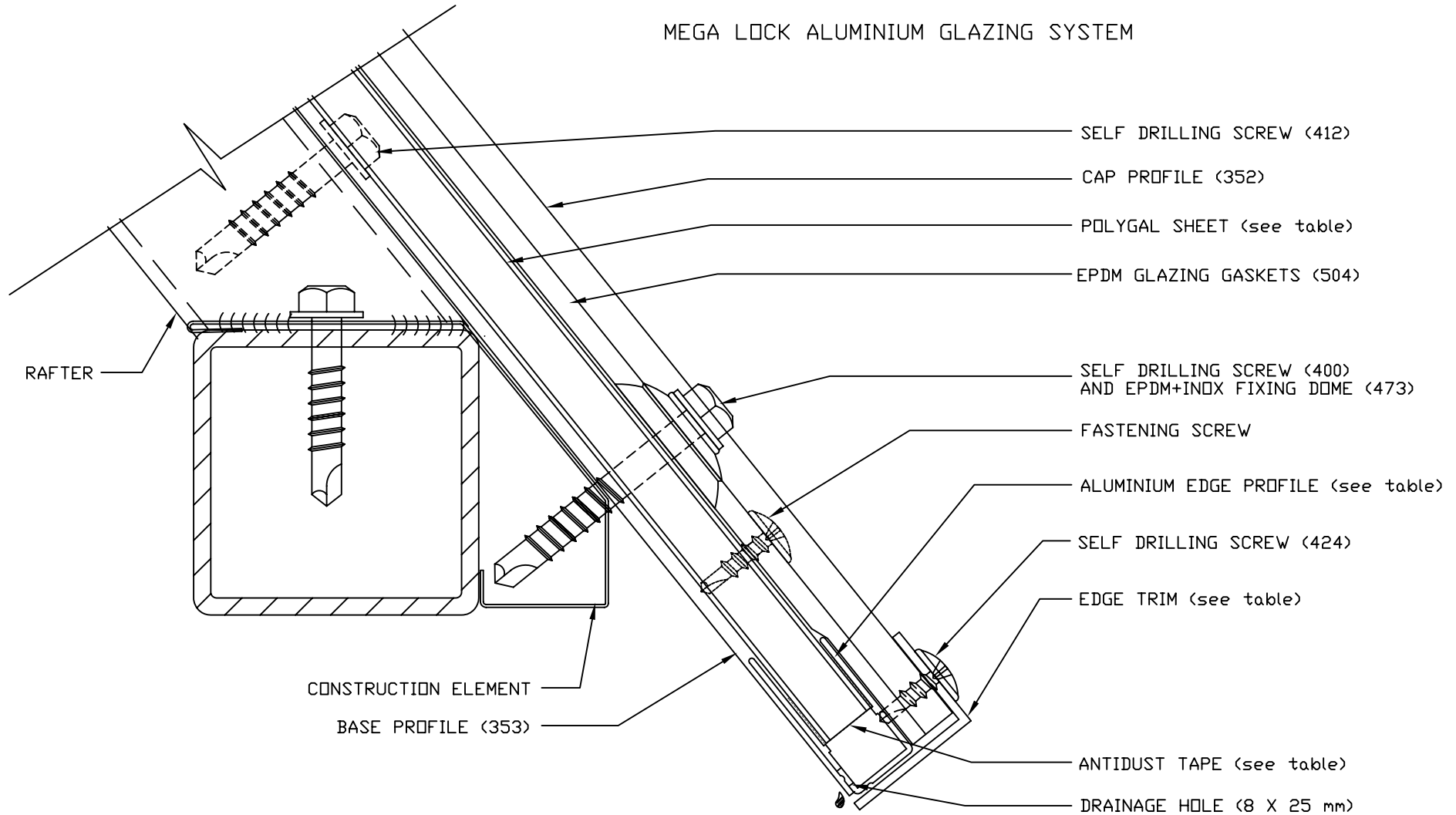
POLYGAL TECHNICAL SUPPORT
FOR REVIEW ONLY
 www.polygal.com · techsupport@polygal.com



BRINGS NATURE IN

SECTION 2a - EDGE DETAIL

MEGA LOCK ALUMINIUM GLAZING SYSTEM



SELF DRILLING SCREW (412)

CAP PROFILE (352)

POLYGAL SHEET (see table)

EPDM GLAZING GASKETS (504)

SELF DRILLING SCREW (400)
AND EPDM+INOX FIXING DOME (473)

FASTENING SCREW

ALUMINIUM EDGE PROFILE (see table)

SELF DRILLING SCREW (424)

EDGE TRIM (see table)

ANTIDUST TAPE (see table)

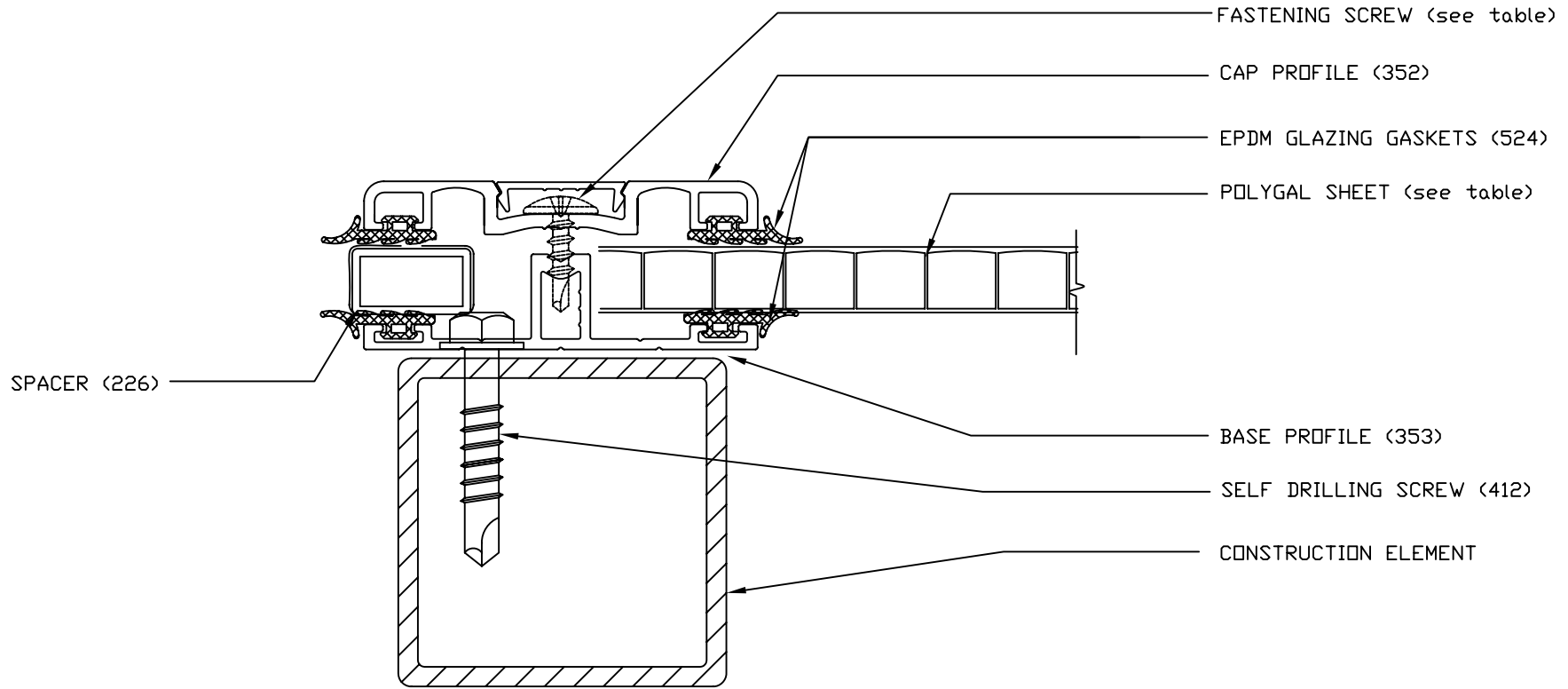
DRAINAGE HOLE (8 X 25 mm)

ACCESSORIES TABLE

| SHEET THICKNESS | EDGE PROFILE# | SCREW# | ANTIDUST TAPE | EDGE TRIM# |
|-----------------|---------------|--------|---------------|------------|
| 8 mm (5/16") | 311 | 431 | 508 | 481 |
| 10 mm (3/8") | 312 | 431 | 509 | 481 |
| 16 mm (5/8") | 313 | 430 | 509 | 482 |

SECTION 3c - SIDE DETAIL

MEGA LOCK ALUMINIUM GLAZING SYSTEM

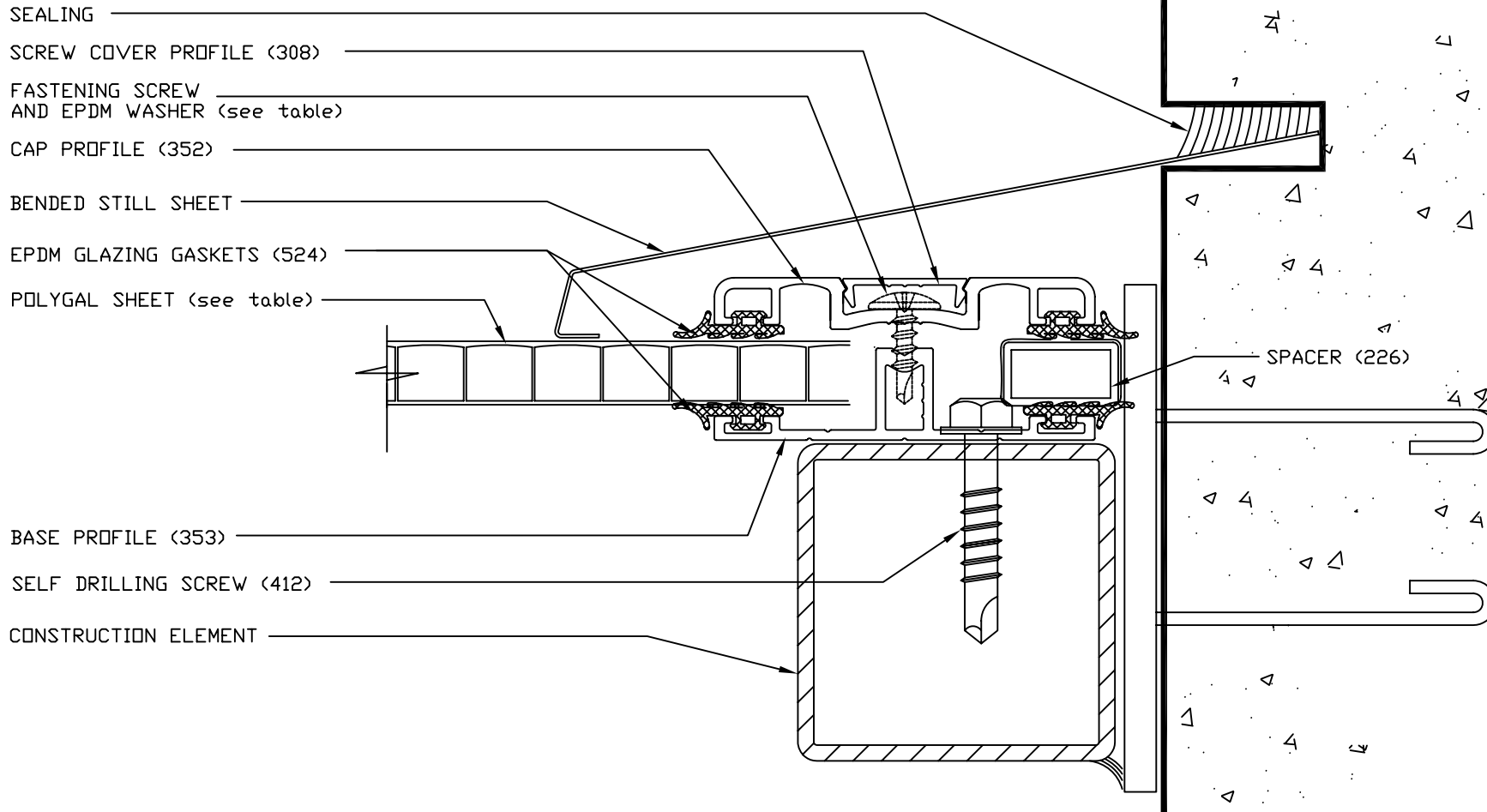


ACCESSORIES TABLE

| SHEET THICKNESS | SCREW# |
|-----------------|--------|
| 8 mm (5/16") | 431 |
| 10 mm (3/8") | 431 |
| 16 mm (5/8") | 430 |

SECTION 3b - SIDE DETAIL

Mega Lock ALUMINIUM GLAZING SYSTEM

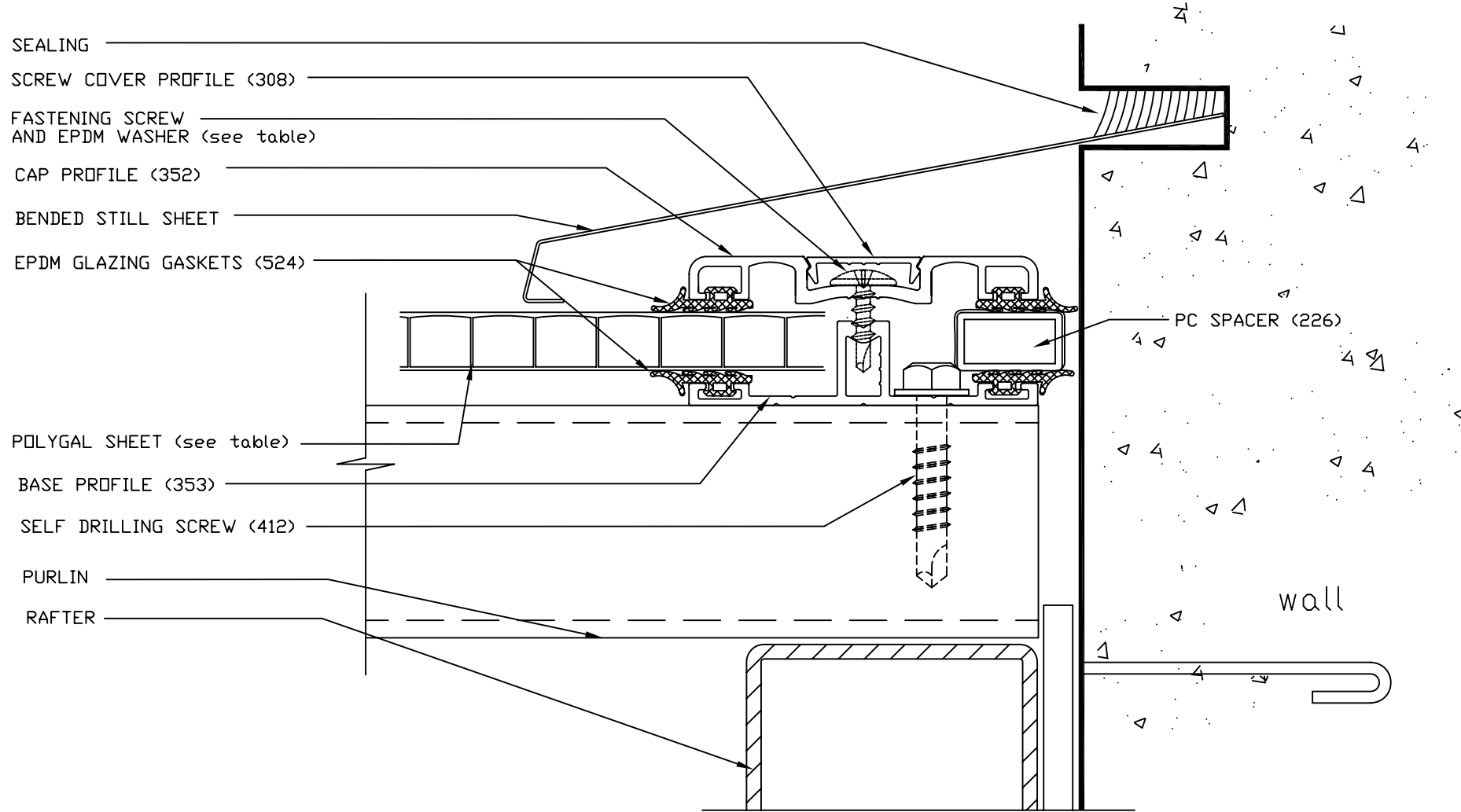


ACCESSORIES TABLE

| SHEET THICKNESS | SCREW# |
|-----------------|--------|
| 8 mm (5/16") | 431 |
| 10 mm (3/8") | 431 |
| 16 mm (5/8") | 430 |

SECTION 3a - SIDE DETAIL

MEGA LOCK ALUMINIUM GLAZING SYSTEM

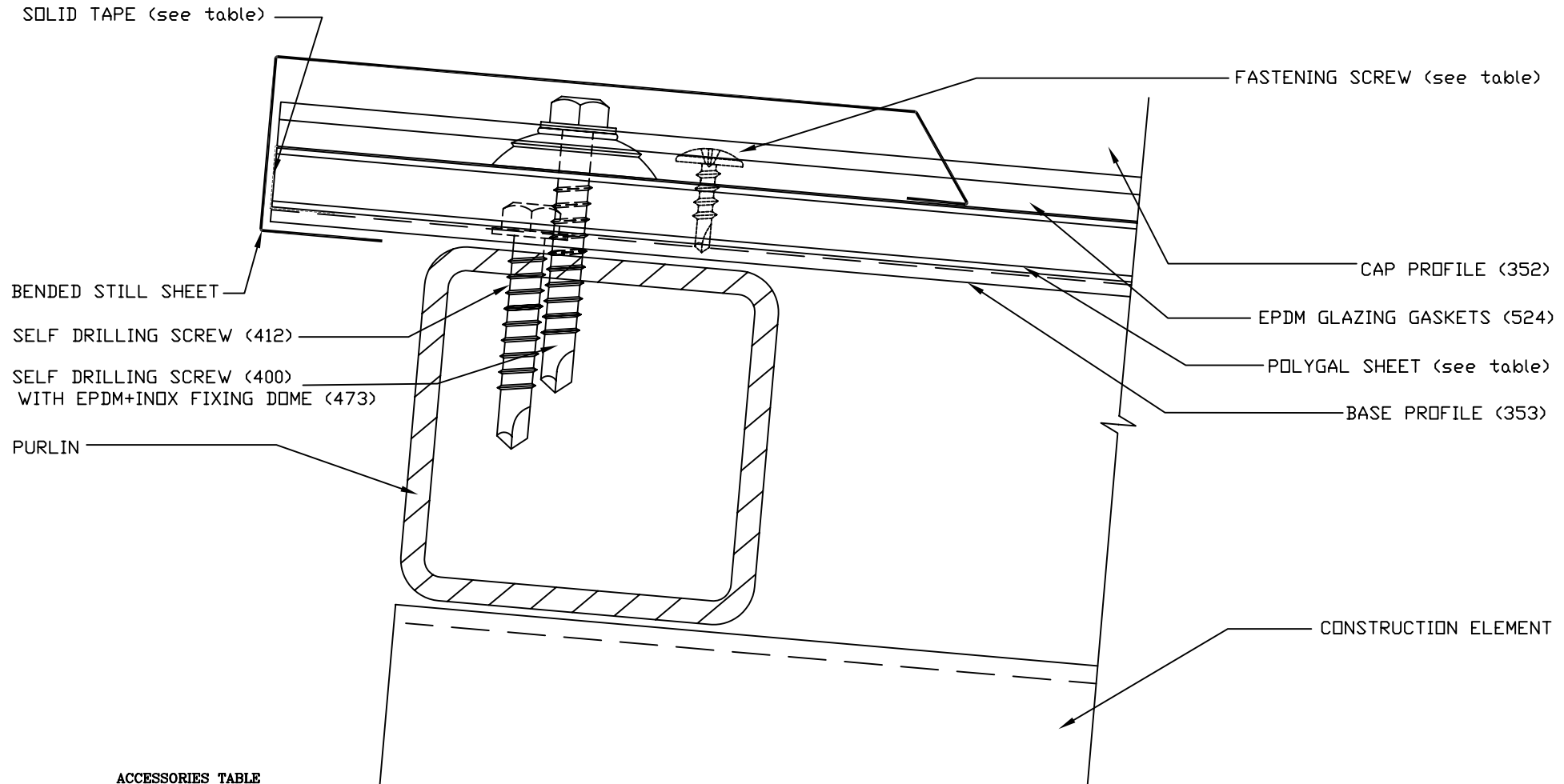


ACCESSORIES TABLE

| SHEET THICKNESS | SCREW# |
|-----------------|--------|
| 8 mm (5/16") | 431 |
| 10 mm (3/8") | 431 |
| 16 mm (5/8") | 430 |

SECTION 4A - TOP DETAIL

Mega Lock ALUMINIUM GLAZING SYSTEM

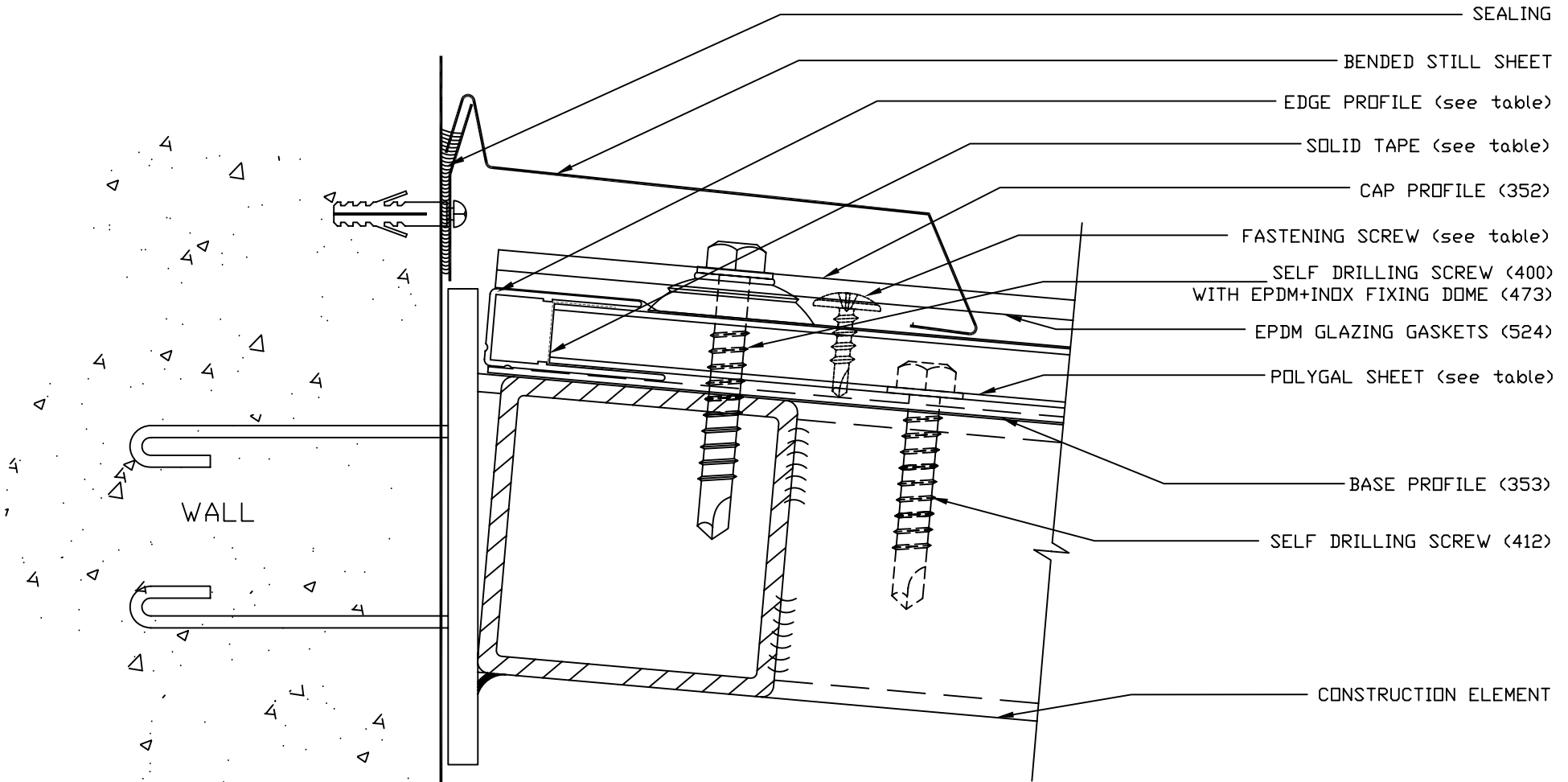


ACCESSORIES TABLE

| SOLID TAPE# | SCREW# | EDGE PROFILE# | SHEET THICKNESS |
|-------------|--------|---------------|-----------------|
| 512 | 431 | 311 | 8 mm (5/16") |
| 513 | 431 | 312 | 10 mm (3/8") |
| 513 | 430 | 313 | 16 mm (5/8") |

SECTION 4A - TOP DETAIL (WALL CONNECTION)

Mega Lock ALUMINIUM GLAZING SYSTEM



ACCESSORIES TABLE

| SOLID TAPE# | SCREW# | EDGE PROFILE# | SHEET THICKNESS |
|-------------|--------|---------------|-----------------|
| 512 | 431 | 311 | 8 mm (5/16") |
| 513 | 431 | 312 | 10 mm (3/8") |
| 513 | 430 | 313 | 16 mm (5/8") |

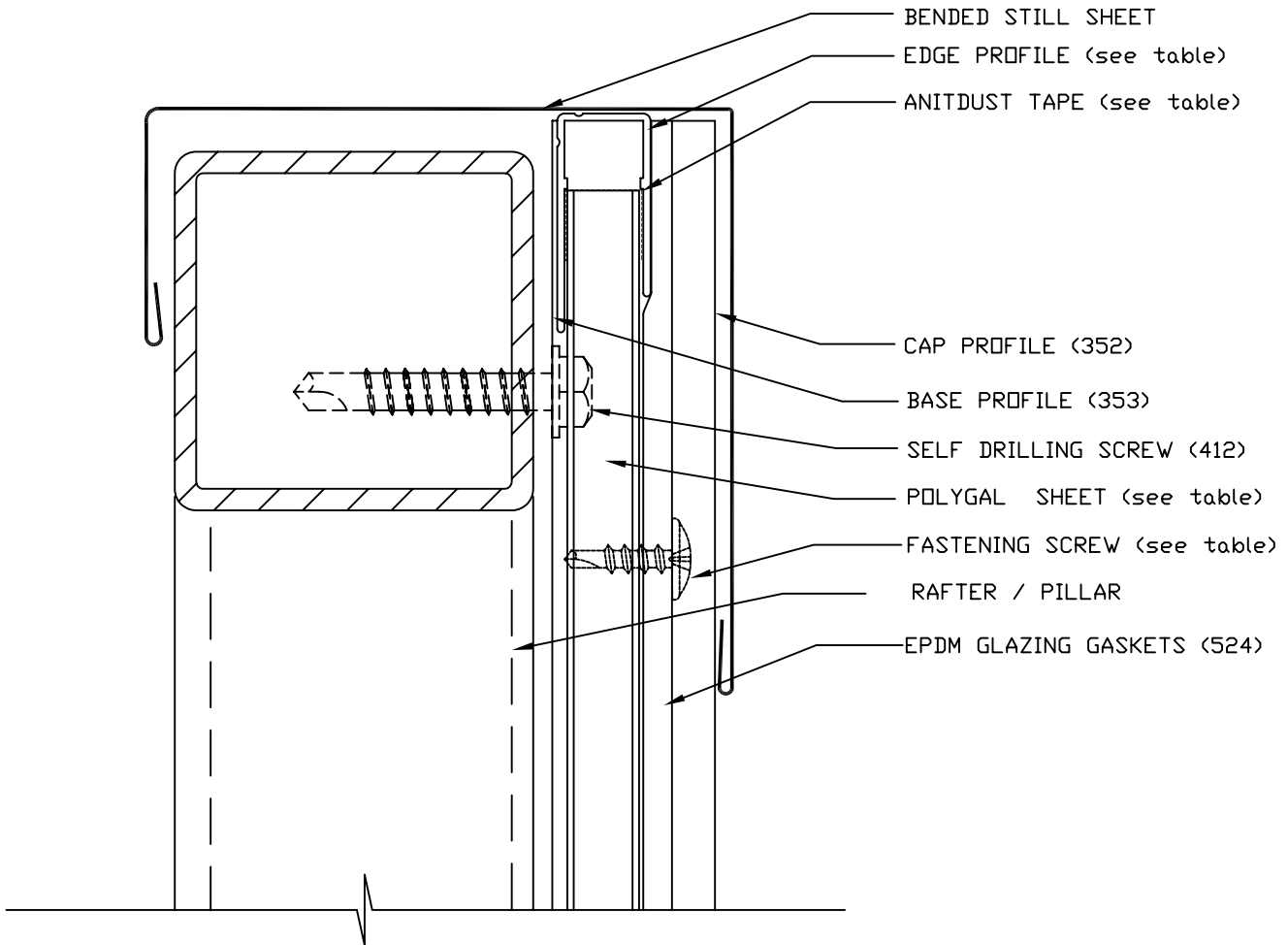
POLYGAL TECHNICAL SUPPORT
FOR REVIEW ONLY



www.polygal.com · techsupport@polygal.com BRINGS NATURE IN

TOP CONNECTION DETAIL

MEGA LOCK GLAZING SYSTEM

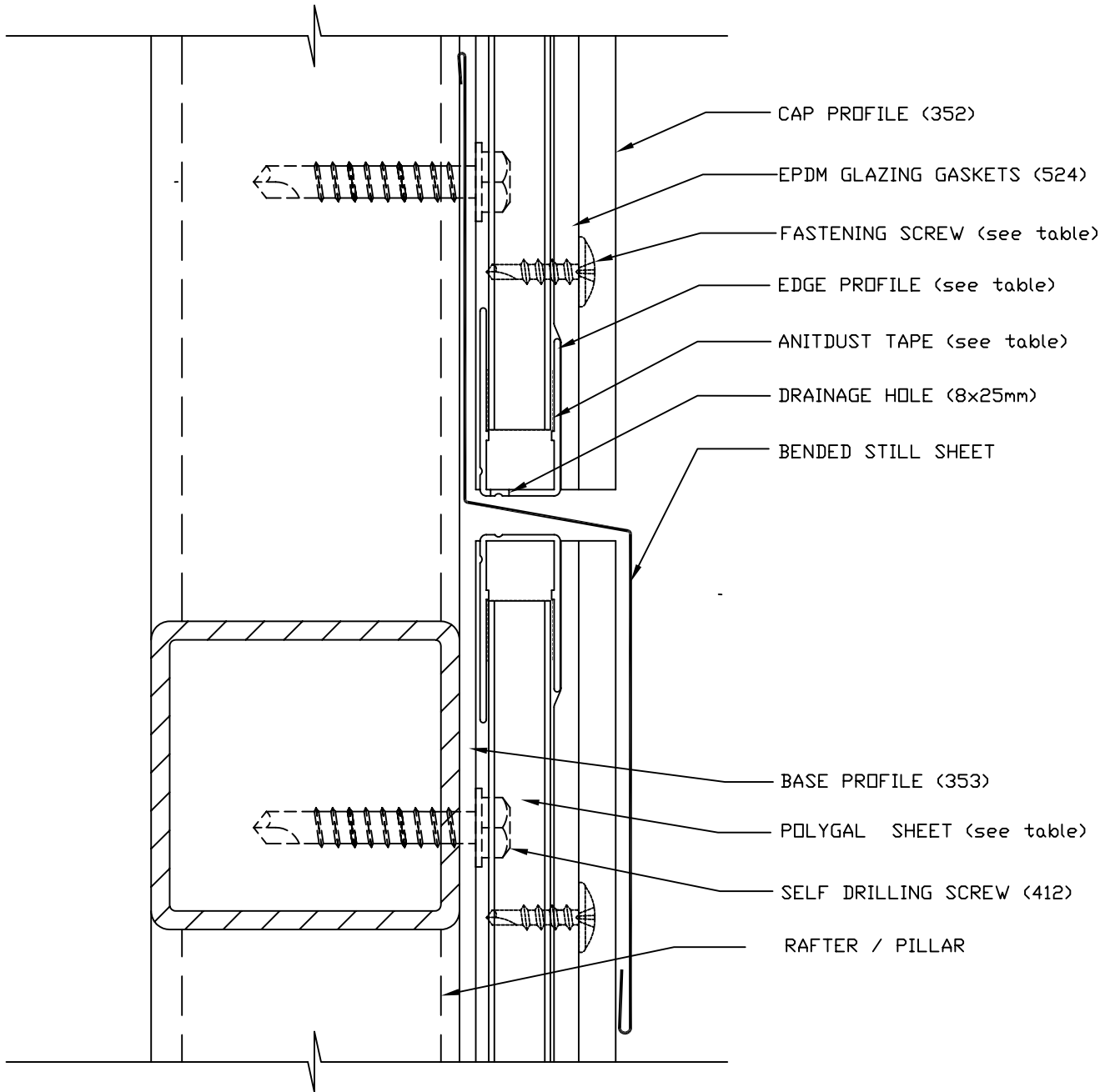


ACCESSORIES TABLE

| SHEET THICKNESS | EDGE PROFILE# | SCREW# | ANTIDUST TAPE |
|-----------------|---------------|--------|---------------|
| 8 mm (5/16") | 311 | 431 | 508 |
| 10 mm (3/8") | 312 | 431 | 509 |
| 16 mm (5/8") | 313 | 430 | 509 |

SILL CONNECTION DETAIL

MEGA LOCK GLAZING SYSTEM



ACCESSORIES TABLE

| SHEET THICKNESS | EDGE PROFILE# | SCREW# | ANTIDUST TAPE |
|-----------------|---------------|--------|---------------|
| 8 mm (5/16") | 311 | 431 | 508 |
| 10 mm (3/8") | 312 | 431 | 509 |
| 16 mm (5/8") | 313 | 430 | 509 |

POLYGAL TECHNICAL SUPPORT
FOR REVIEW ONLY

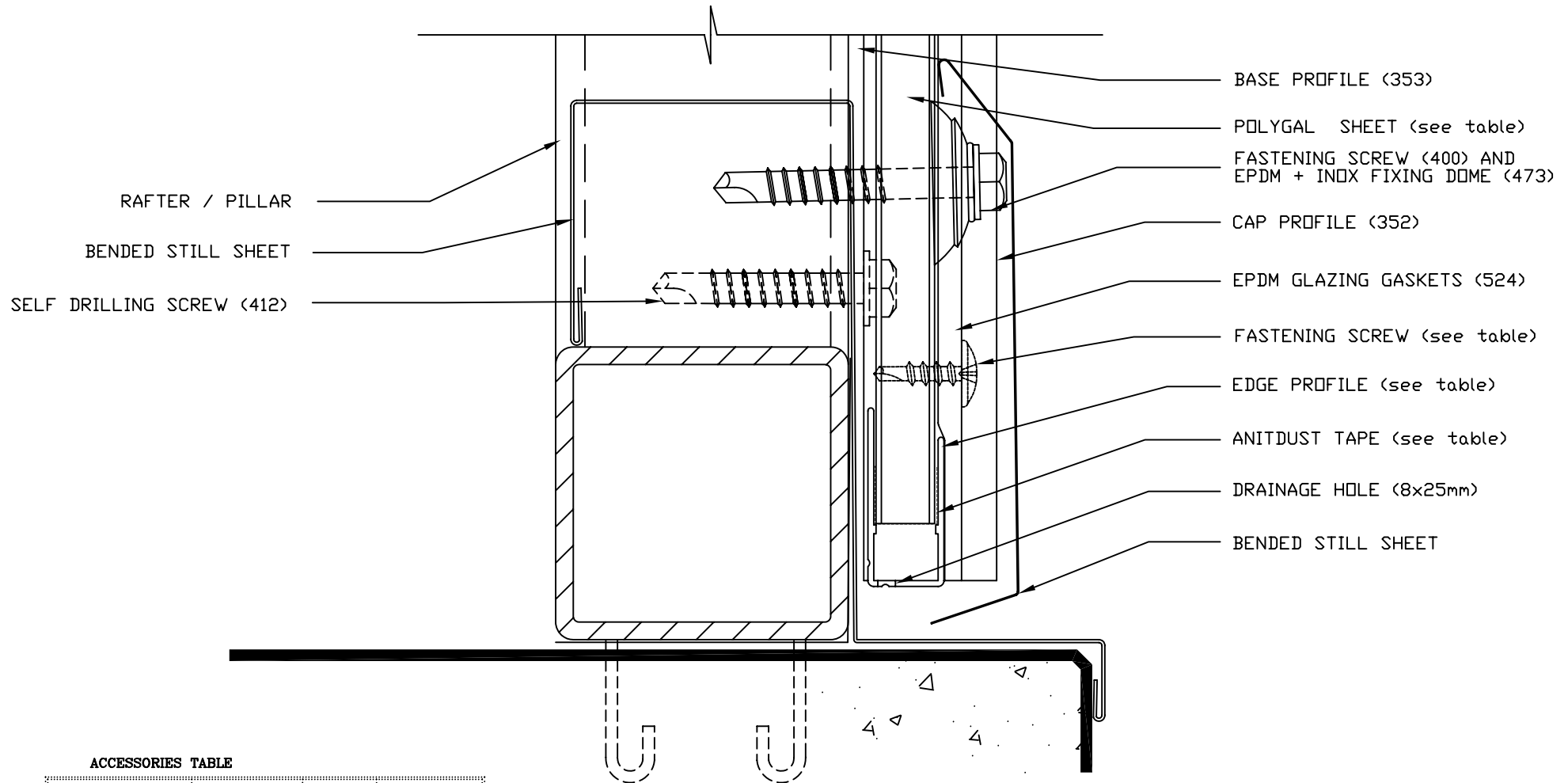
www.polygal.com · techsupport@polygal.com



BRINGS NATURE IN

SILL CONNECTION DETAIL

MEGA LOCK GLAZING SYSTEM



ACCESSORIES TABLE

| SHEET THICKNESS | EDGE PROFILE# | SCREW# | ANTIDUST TAPE |
|-----------------|---------------|--------|---------------|
| 8 mm (5/16") | 311 | 431 | 508 |
| 10 mm (3/8") | 312 | 431 | 509 |
| 16 mm (5/8") | 313 | 430 | 509 |

POLYGAL TECHNICAL SUPPORT
FOR REVIEW ONLY
www.polygal.com · techsupport@polygal.com



BRINGS NATURE IN