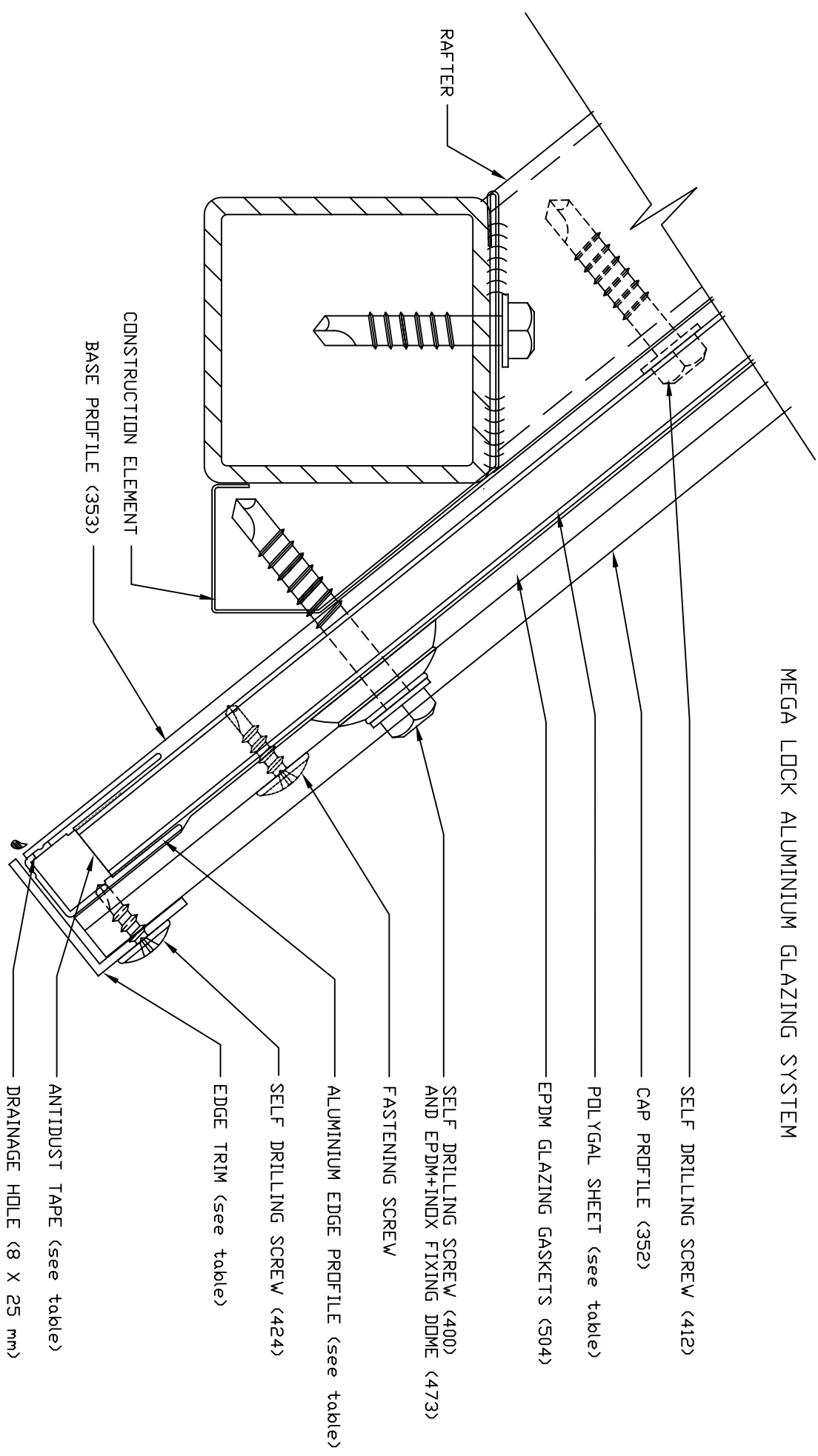


SECTION 2a - EDGE DETAIL

MEGA LOCK ALUMINIUM GLAZING SYSTEM



ACCESSORIES TABLE

SHEET THICKNESS	EDGE PROFILE#	SCREEN#	ANTIDUST TAPE	EDGE TRIM#
8 mm (5/16")	311	431	508	481
10 mm (3/8")	312	431	509	481
16 mm (5/8")	313	430	509	482

		POLYGL TECH. SUPPORT DEPT. - FOR REVIEW ONLY	
PLASTICS INDUSTRIES LTD.		DRAWING NUMBER	
POLYGL II Tel: 972-4-555-222 Fax: 972-4-555322 E-mail: techsupport@polygl.com		SCALE 1:1	
		EDITION	
		TITLE	
		DATE	