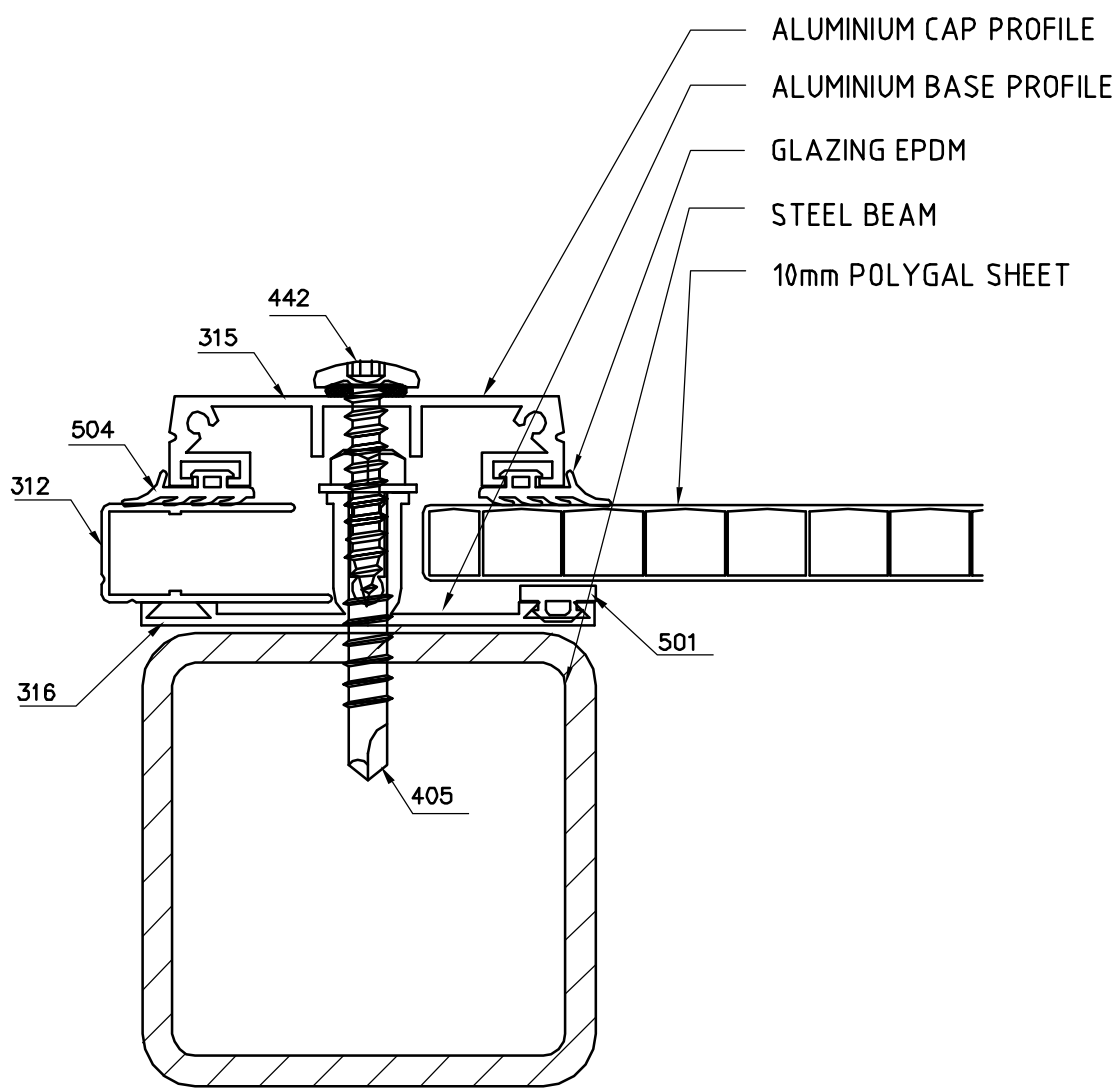


1	2	3	4
RevNo	Revision note	Date	Signature Checked

SIDE DETAIL
6-16 SYSTEM
DETAIL A-A



POLYGAL®

PLASTICS INDUSTRIES LTD.

* The information in these drawing is intended for review only. Polygal is not, and will not be responsible for any damage or loss caused by incorrect use of the drawing and/or erroneous interpretation of the drawing. Always consult with an architect and certified civil engineer when applying the drawing on building.

ITEM REF	QUANTITY	TITLE/NAME, DESIGNATION, MATERIAL, DIMENSION ETC			ARTICLE NO./REFERENCE	
DESIGNED BY		CHECKED BY	APPROVED BY - DATE	FILENAME	DATE	SCALE
POLYGAL IL		RAMAT HASHOFET 19239 Tel: 972-4-9596222 Fax: 972-4-9596382, E-mail: sales@polygal.co.il			XXX	
POLYGAL U.S.A Inc.		2277 Barbary Drive, Jeneseville WI 53545 Fax: 1-608-757-1925 Tel: 1-608-757-1303; 1-800-537-0035 E-mail: sales@polygalusa.com				
POLYGAL U.K Ltd		2 North Crowley Road, Newport Pagnell Milton Keynes MK 16 9HG Tel: 44-1908-271 054 Fax: 44-1908-210 942 E-mail: polygal@btinternet.com			X	EDITION SHEET