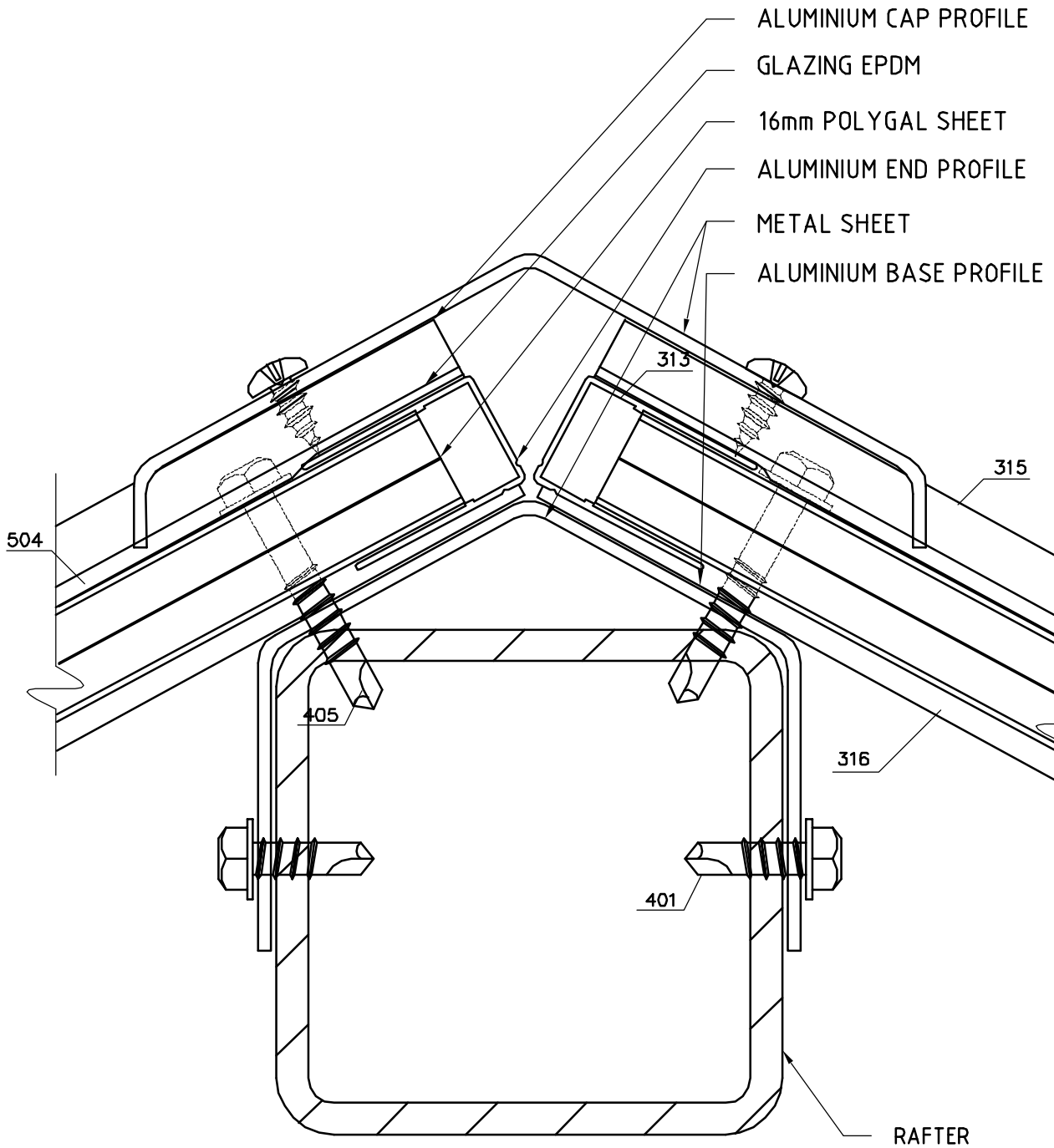


1	2	3	4
RevNo	Revision note	Date	Signature
			Checked

RIDGE DETAIL
6-16 SYSTEM
DETAIL D-D



POLYGAL[®]

PLASTICS INDUSTRIES LTD.

* The information in these drawing is intended for review only.Polygal is not, and will not be responsible for any damage or loss caused by incorrect use of the drawing and/or erroneous interpretation of the drawing . Always consult with an architect and certified civil engineer when applying the drawing on building.

ITEM REF	QUANTITY	TITLE/NAME, DESIGNATION, MATERIAL, DIMENSION ETC			ARTICLE NO./REFERENCE	
DESIGNED BY	CHECKED BY	APPROVED BY - DATE	FILENAME	DATE	SCALE	
POLYGAL IL	RAMAT HASHOFET 192389 Tel: 972-4-9596222 Fax: 972-4-9596382 , E-mail: sales@polygal.co.il			XXX		
POLYGAL U.S.A Inc.	2277 Barbary Drive, Jenesville WI 53545 Fax: 1-608-757 1925 Tel: 1-608-757 1302; 1-800 537 0025 E-mail: sales@polygalusa.com			X		
POLYGAL U.K Ltd	2 North Crowley Road, Newport Pagnell Milton Keynes MK 16 9HG Tel: 44-1908-271 054 Fax: 44-1908-210 942 E-mail: polygal@btinternet.com			EDITION	SHEET	