

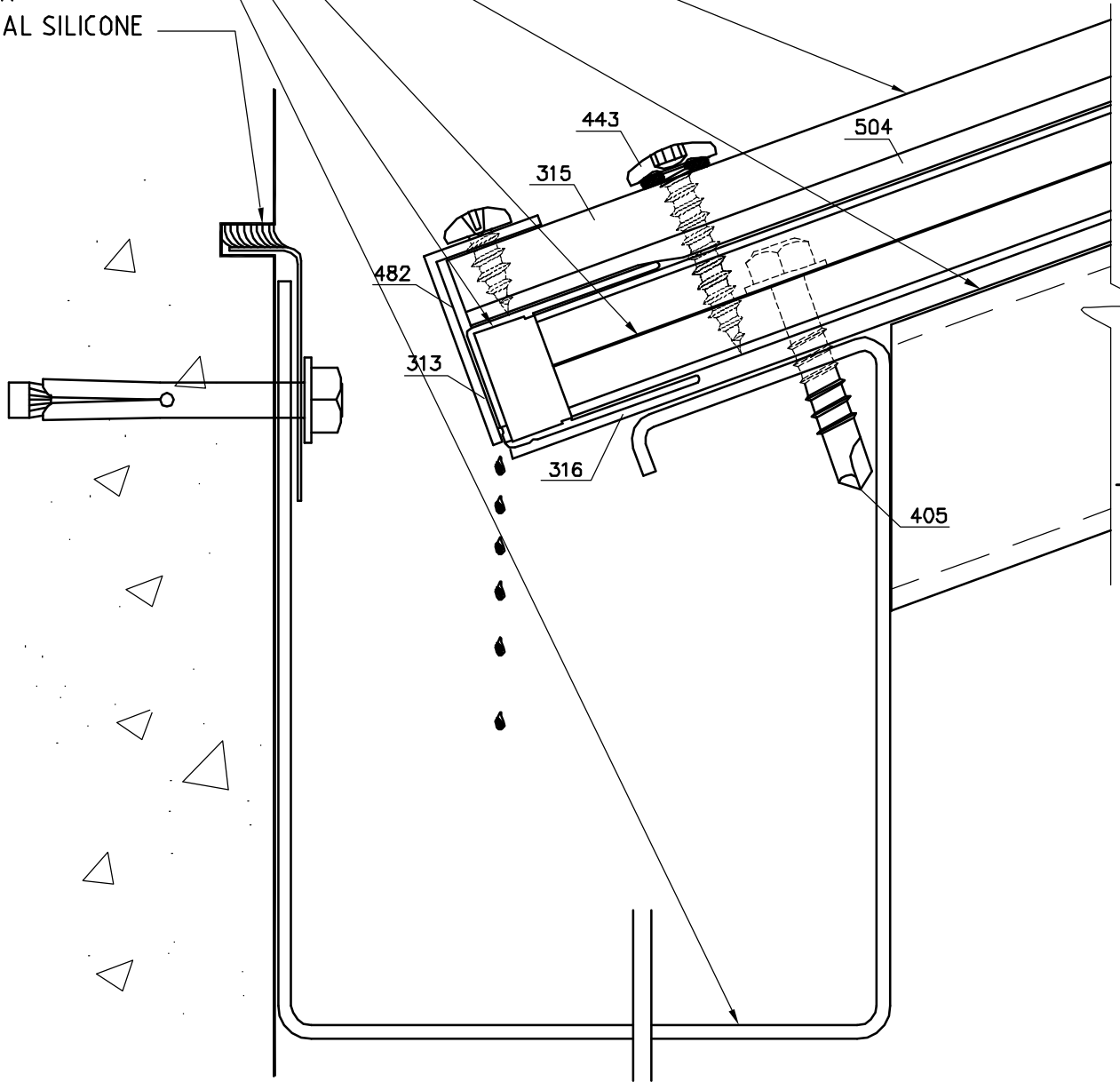
1	2	3	4
RevNo	Revision note	Date	Signature
			Checked

GUTTER DETAIL

6-16 SYSTEM

DETAIL F-F

- ALUMINIUM CAP PROFILE
- ALUMINIUM BASE PROFILE
- 16mm POLYGAL SHEET
- ALUMINIUM END PROFILE
- GUTTER
- POLYGAL SILICONE



POLYGAL®

PLASTICS INDUSTRIES LTD.

* The information in these drawing is intended for review only.Polygal is not, and will not be responsible for any damage or loss caused by incorrect use of the drawing and/or erroneous interpretation of the drawing . Always consult with an architect and certified civil engineer when applying the drawing on building.

ITEM REF	QUANTITY	TITLE/NAME, DESIGNATION, MATERIAL, DIMENSION ETC			ARTICLE NO./REFERENCE	
DESIGNED BY		CHECKED BY		APPROVED BY - DATE		FILENAME
DATE		SCALE				
POLYGAL IL		RAMAT HASHOFET 19238 Tel: 972-4-9596222 Fax: 972-4-9596382 , E-mail: sales@polygal.co.il			XXX	
POLYGAL U.S.A Inc.		2277 Barbary Drive, Jenesville WI 53545 Fax: 1-608-757-1925 Tel: 1-608-757-1303; 1-800-537-0025 E-mail: sales@polygalusa.com				
POLYGAL U.K Ltd		2 North Crowley Road, Newport Pagnell Milton Keynes MK 16 5HG Tel: 44-1908-271 051 Fax: 44-1908-210 912 E-mail: polygal@btinternet.com			X	EDITION
						SHEET