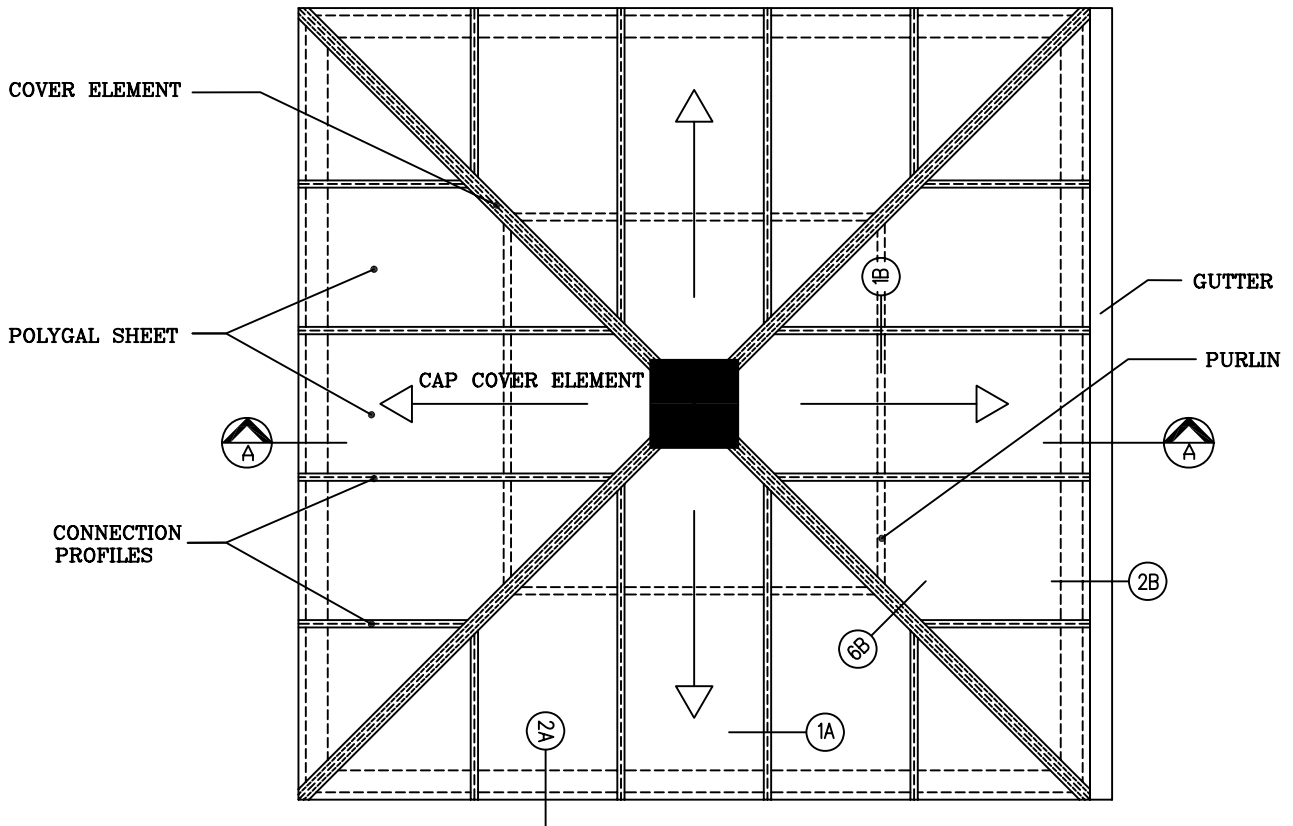
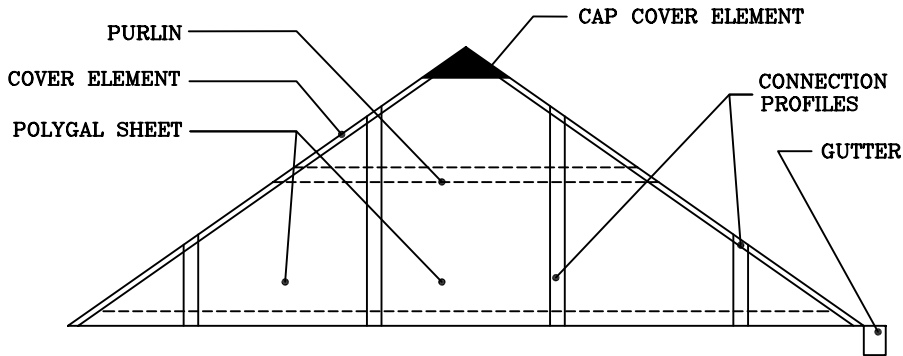


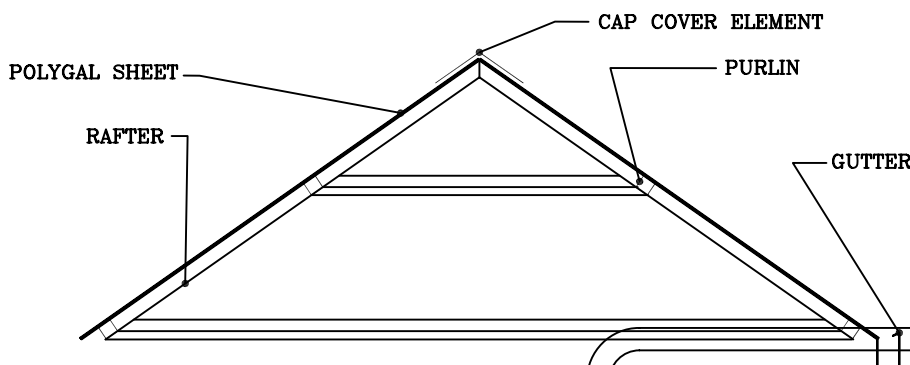
# Roof Design – Polygon (Pyramid) Structure



## FRONT



## Section A-A



## Drawing details

- 1A - SHEET CONNECTION ABOVE RAFTER
- 1B - SHEET CONNECTION ABOVE PURLIN
- 2A - BOTTOM EDGE DETAIL
- 2B - GUTTER CONNECTION DETAIL
- 6B - RIDGE CONNECTION DETAIL

POLYGAL TECHNICAL SUPPORT  
**FOR REVIEW ONLY**

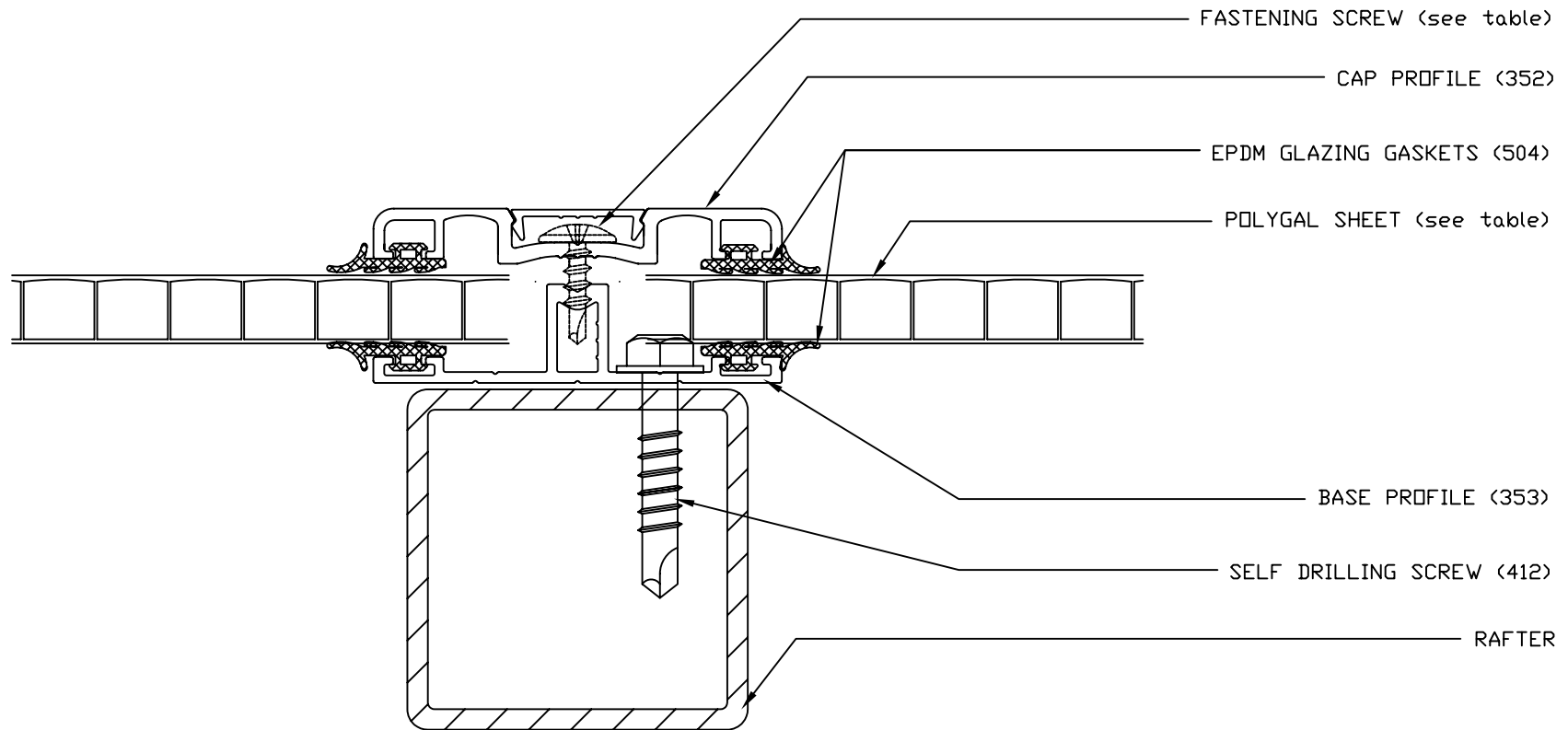
[www.polygal.com](http://www.polygal.com) · [techsupport@polygal.com](mailto:techsupport@polygal.com)



BRINGS NATURE IN

# CONNECTION DETAIL

## MEGA LOCK ALUMINIUM GLAZING SYSTEM

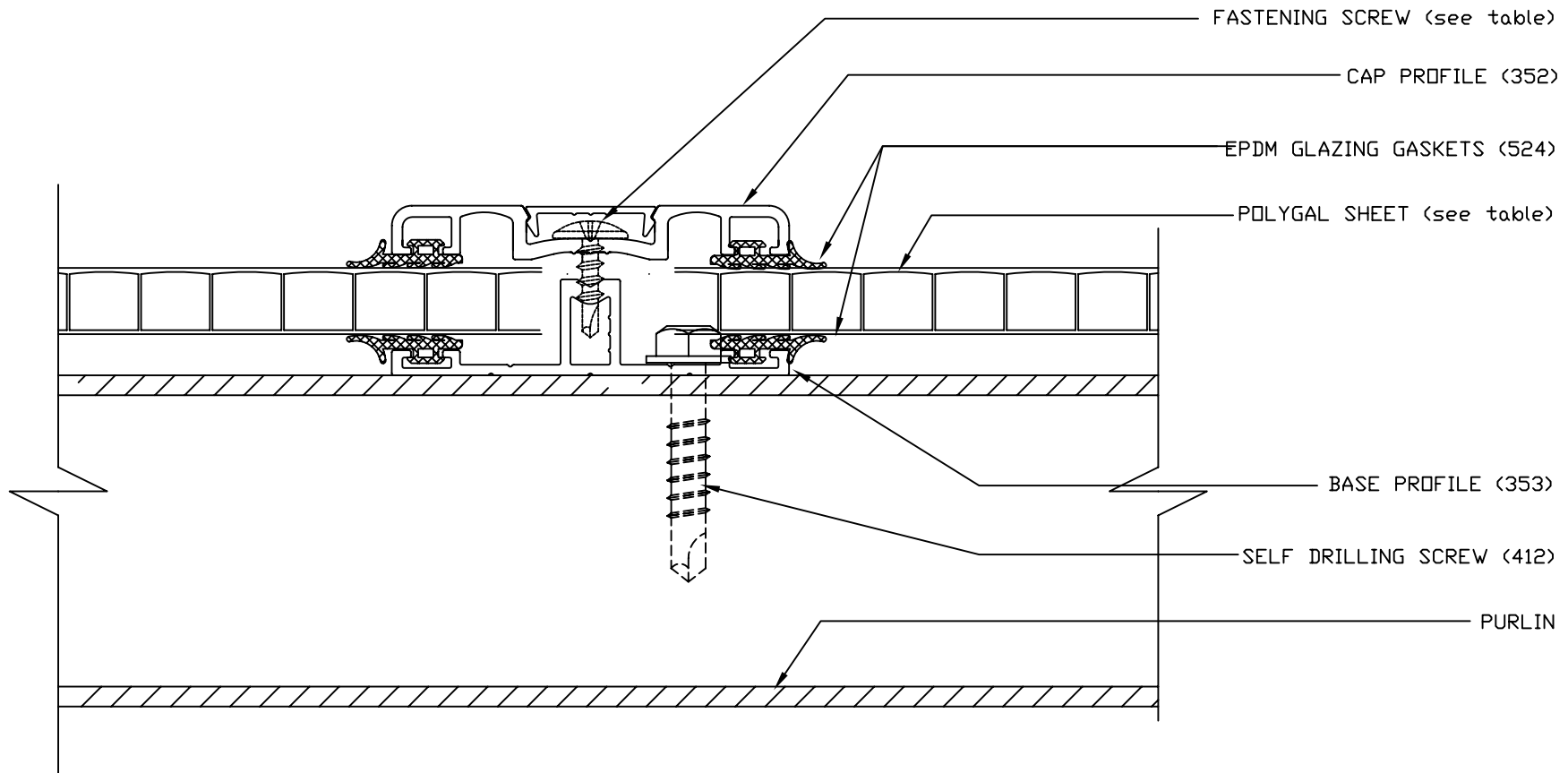


ACCESSORIES TABLE

SHEET THICKNESS	SCREW #
8 mm (5/16")	431
10 mm (3/8")	431
16 mm (5/8")	430

# CONNECTION DETAIL

## Mega Lock ALUMINIUM GLAZING SYSTEM



ACCESSORIES TABLE

SHEET THICKNESS	SCREW #
8 mm (5/16")	431
10 mm (3/8")	431
16 mm (5/8")	430

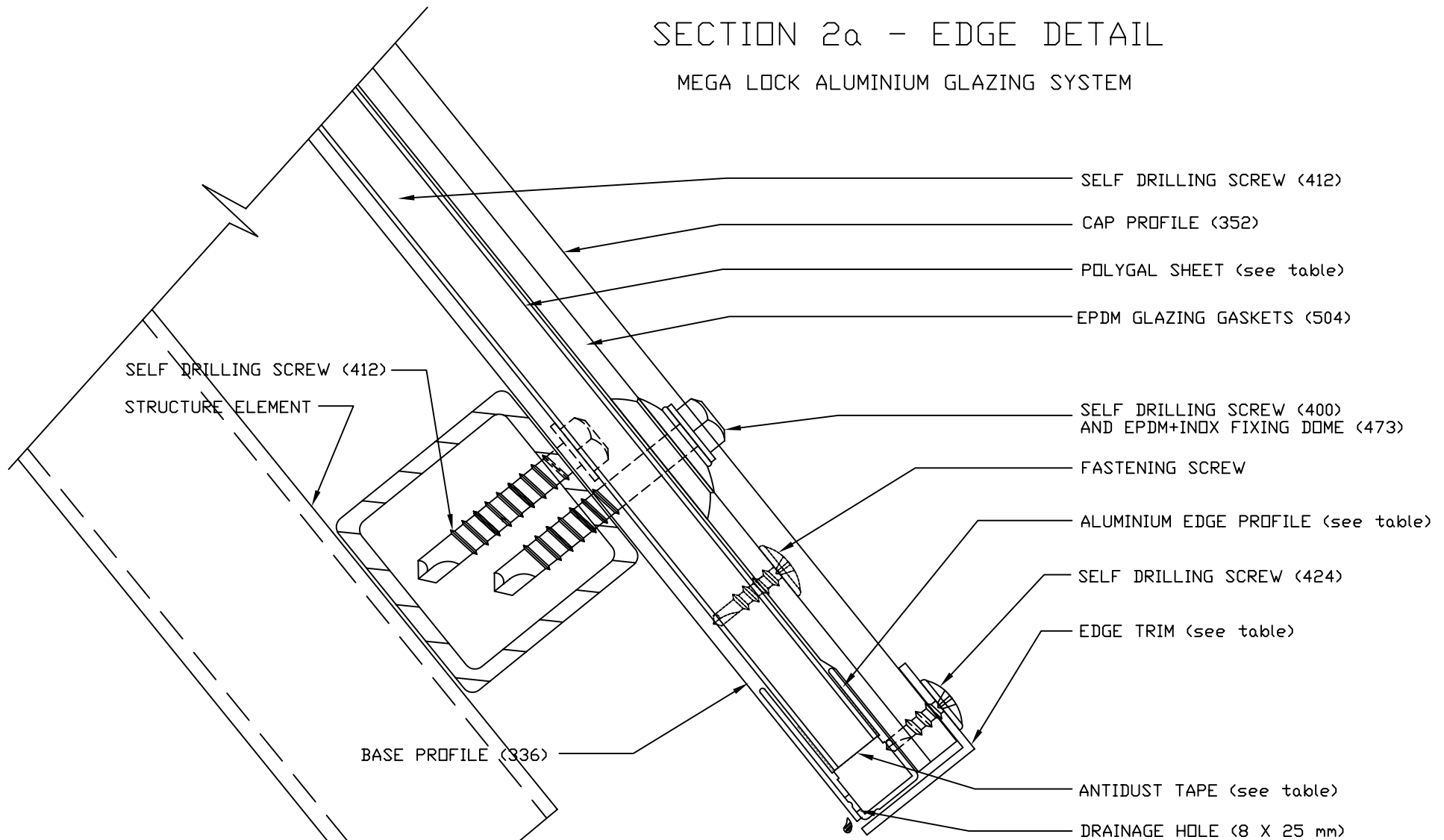
POLYGAL TECHNICAL SUPPORT  
**FOR REVIEW ONLY**



www.polygal.com · techsupport@polygal.com BRINGS NATURE IN

# SECTION 2a - EDGE DETAIL

## MEGA LOCK ALUMINIUM GLAZING SYSTEM

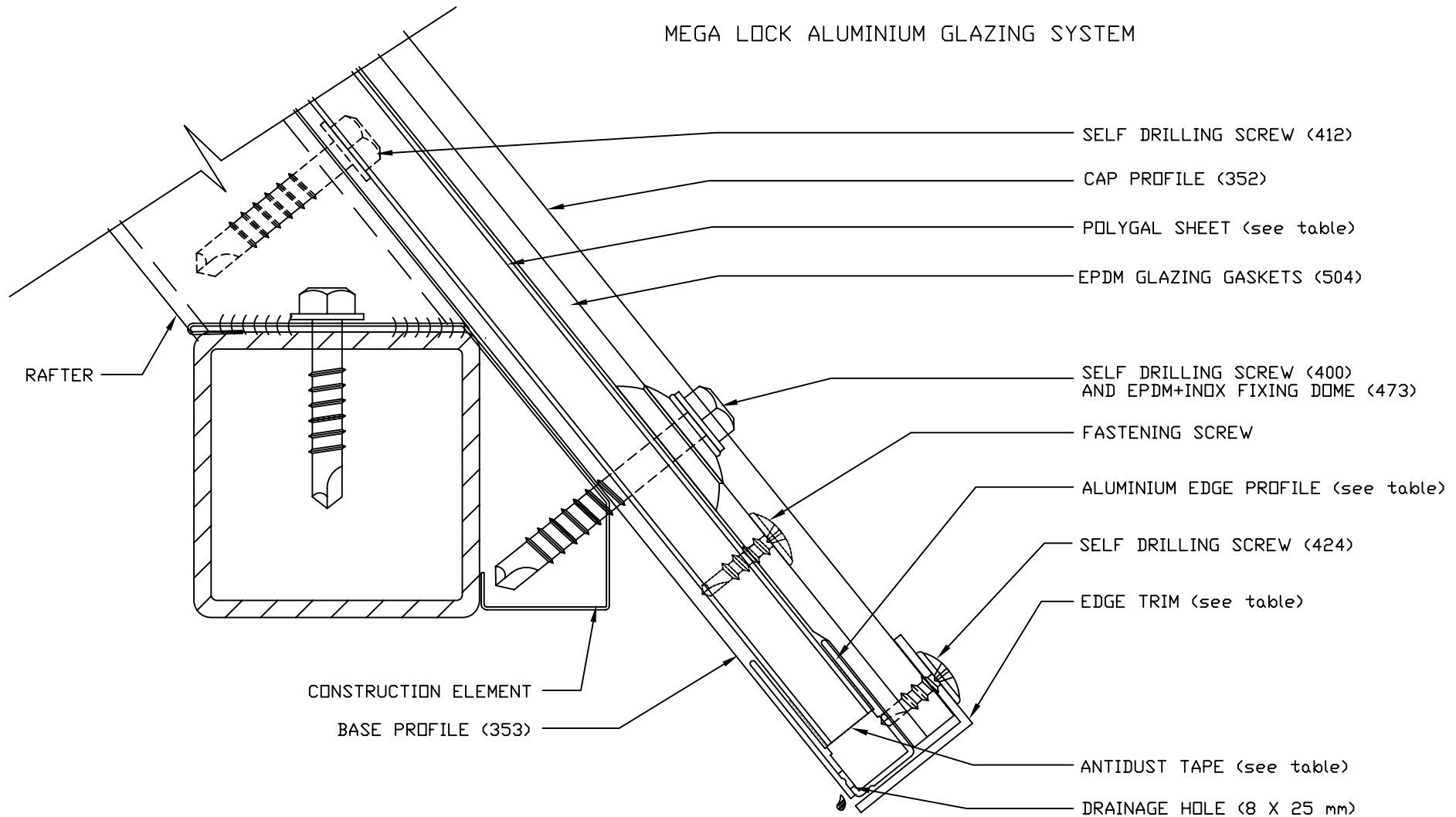


ACCESSORIES TABLE

SHEET THICKNESS	EDGE PROFILE#	SCREW#	ANTIDUST TAPE	EDGE TRIM#
8 mm (5/16")	311	431	508	481
10 mm (3/8")	312	431	509	481
16 mm (5/8")	313	430	509	482

# SECTION 2a - EDGE DETAIL

## MEGA LOCK ALUMINIUM GLAZING SYSTEM



ACCESSORIES TABLE

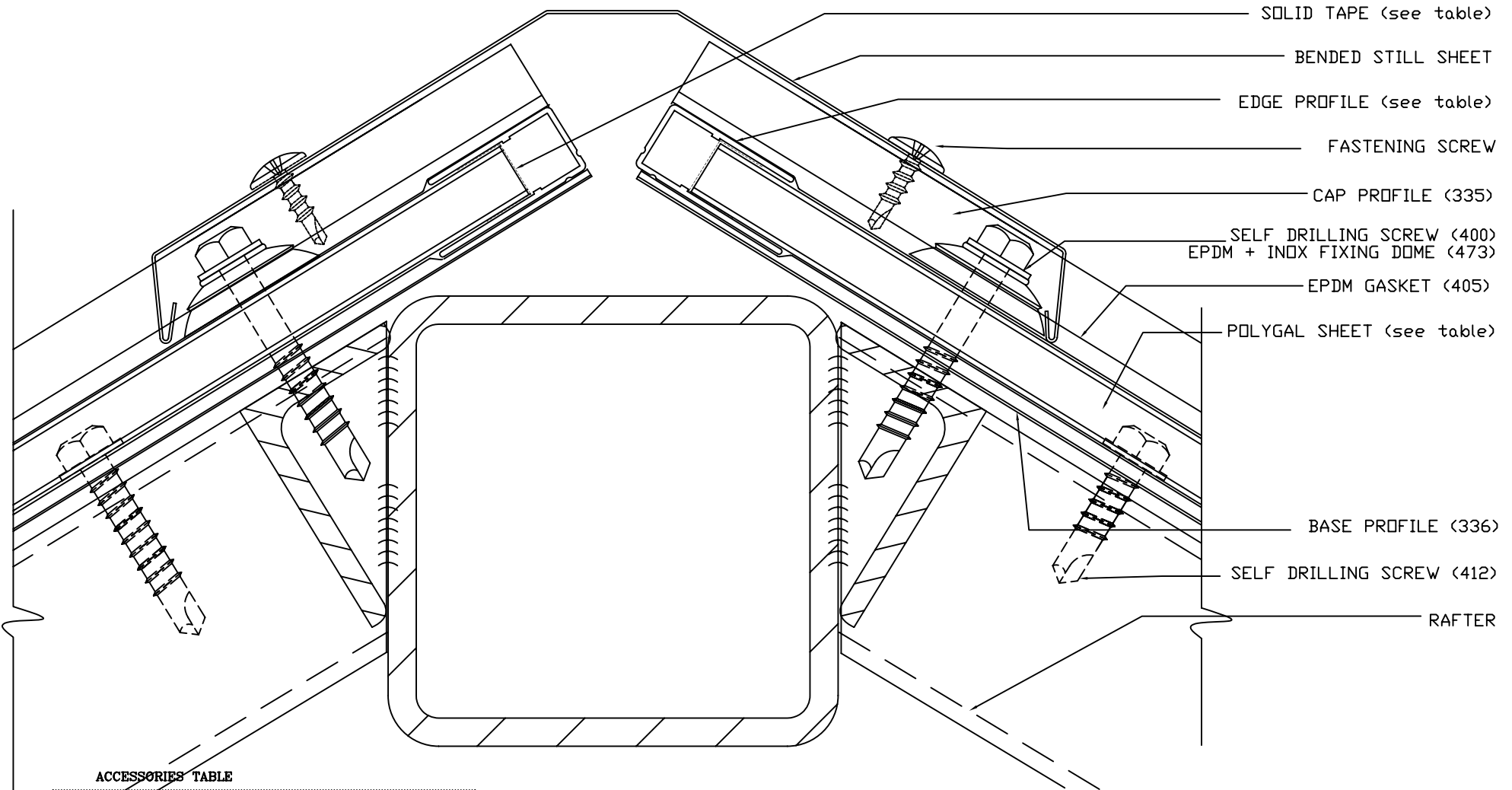
SHEET THICKNESS	EDGE PROFILE#	SCREW#	ANTIDUST TAPE	EDGE TRIM#
8 mm (5/16")	311	431	508	481
10 mm (3/8")	312	431	509	481
16 mm (5/8")	313	430	509	482

POLYGAL TECHNICAL SUPPORT  
**FOR REVIEW ONLY**  
[www.polygal.com](http://www.polygal.com) · [techsupport@polygal.com](mailto:techsupport@polygal.com)

**POLYGAL**<sup>®</sup>  
 BRINGS NATURE IN

# RIDGE CONNECTION DETAIL (6)

## Mega Lock ALUMINIUM GLAZING SYSTEM



ACCESSORIES TABLE

SHEET THICKNESS	EDGE PROFILE#	SOLID TAPE
8 mm (5/16")	311	512
10 mm (3/8")	312	513
16 mm (5/8")	313	513