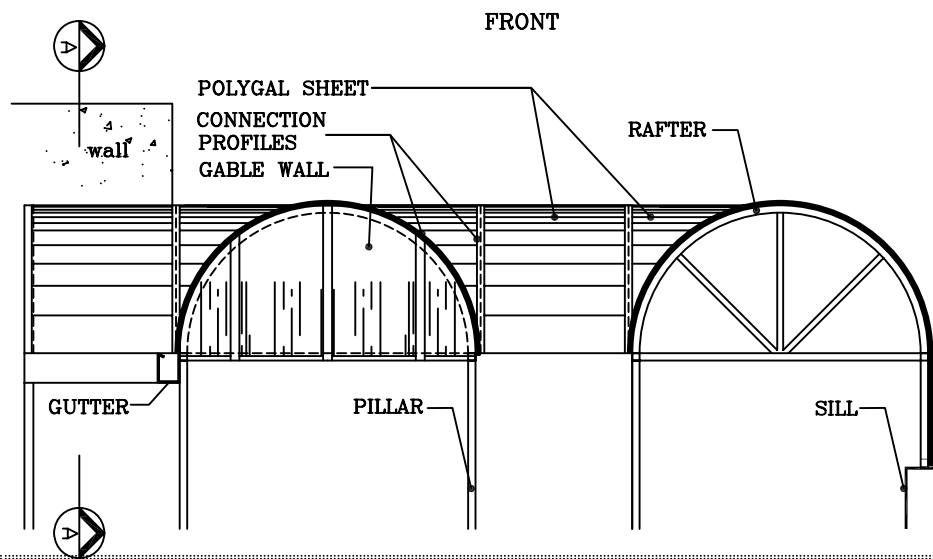
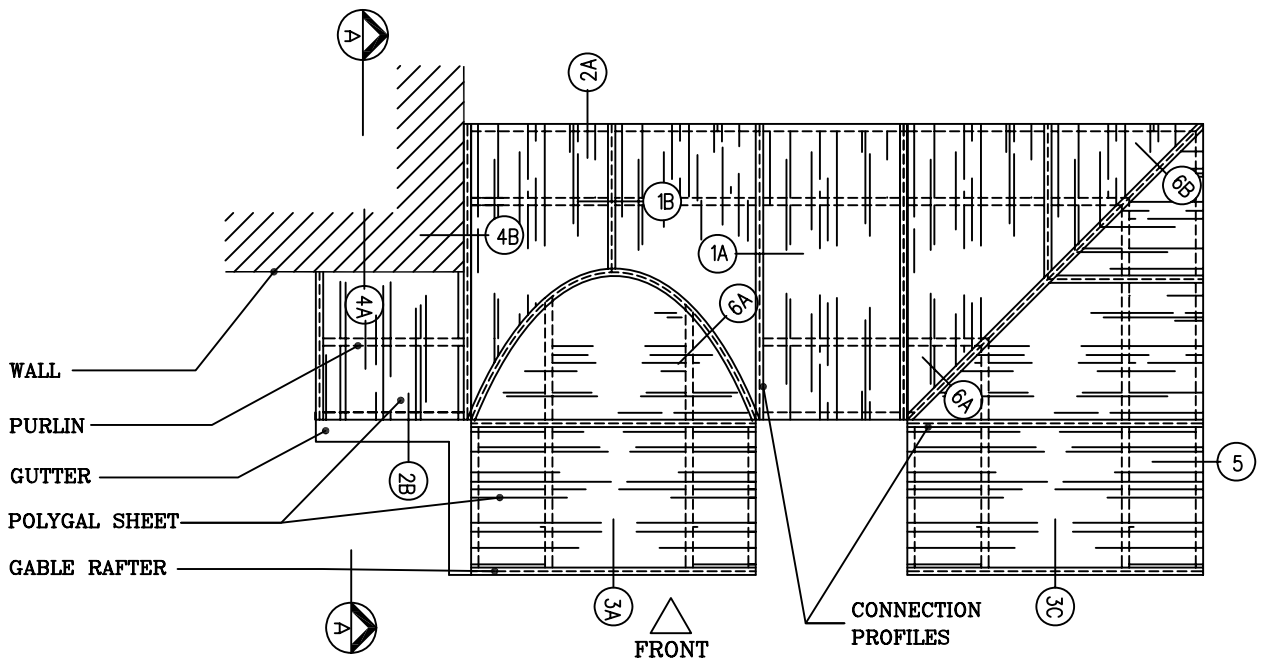
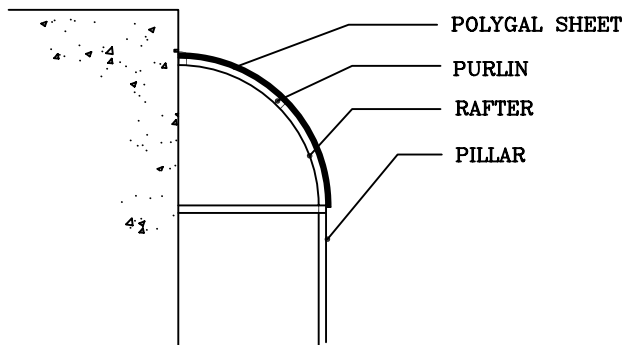


# Roof Design – Arched Structure



Section A-A



## Drawing details

- 1A – SHEET CONNECTION ABOVE RAFTER
- 1B – SHEET CONNECTION ABOVE PURLIN
- 2A – BOTTOM EDGE DETAIL
- 2B – GUTTER CONNECTION DETAIL
- 3A – SIDE CONNECTION DETAIL TO GABLE WALL
- 3B – SIDE DETAIL – WALL CONNECTION
- 3C – SIDE CONNECTION DETAIL
- 4A – TOP EDGE CONNECTION DETAIL TO WALL
- 5 – CONNECTION OF BOTTOM EDGE TO SILL
- 6A – VALLEY CONNECTION DETAIL
- 6B – RIDGE CONNECTION DETAIL

POLY GAL TECHNICAL SUPPORT  
**FOR REVIEW ONLY**

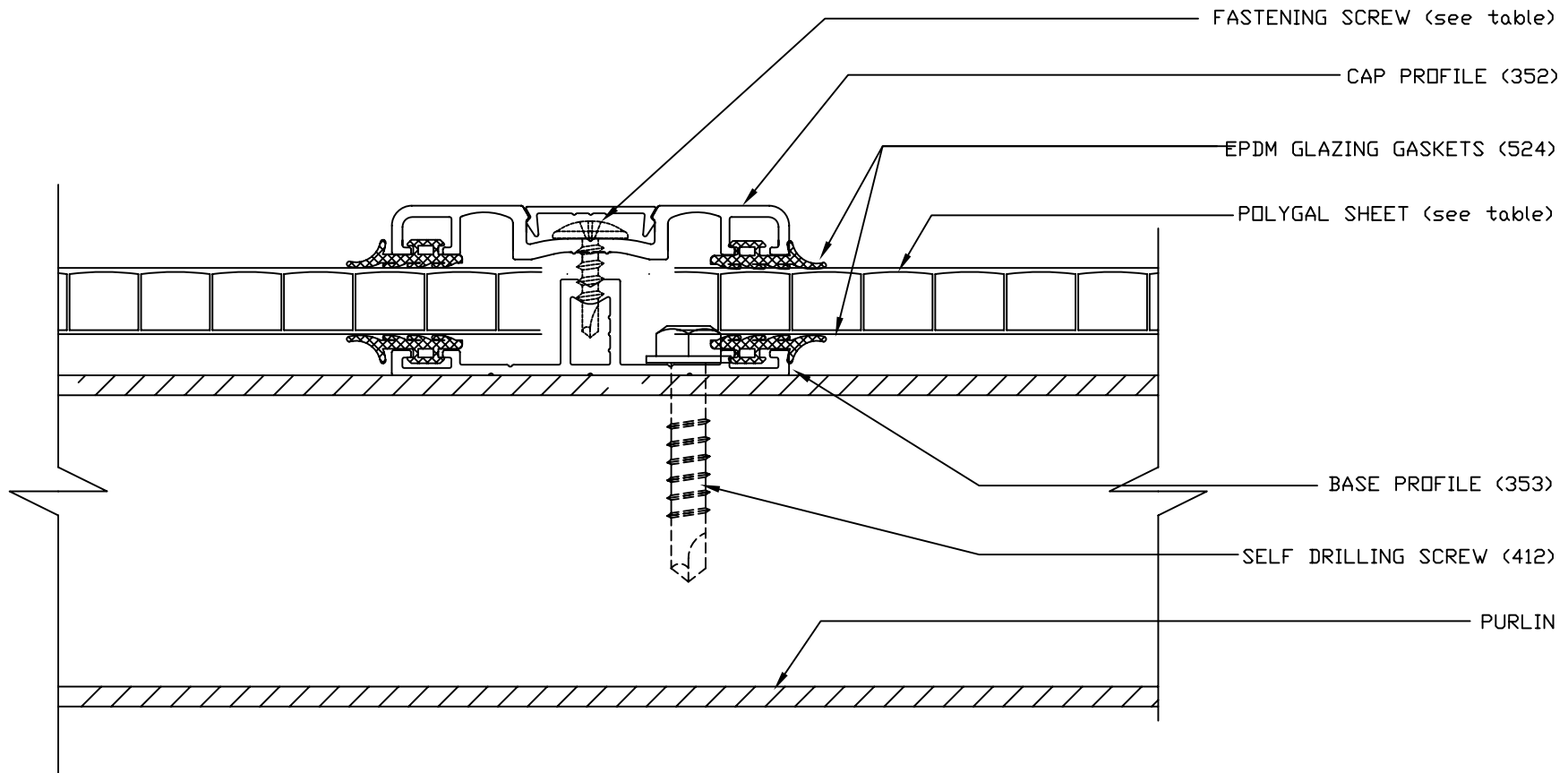
[www.polygal.com](http://www.polygal.com) · [techsupport@polygal.com](mailto:techsupport@polygal.com)



BRINGS NATURE IN

# CONNECTION DETAIL

## Mega Lock ALUMINIUM GLAZING SYSTEM



ACCESSORIES TABLE

SHEET THICKNESS	SCREW #
8 mm (5/16")	431
10 mm (3/8")	431
16 mm (5/8")	430

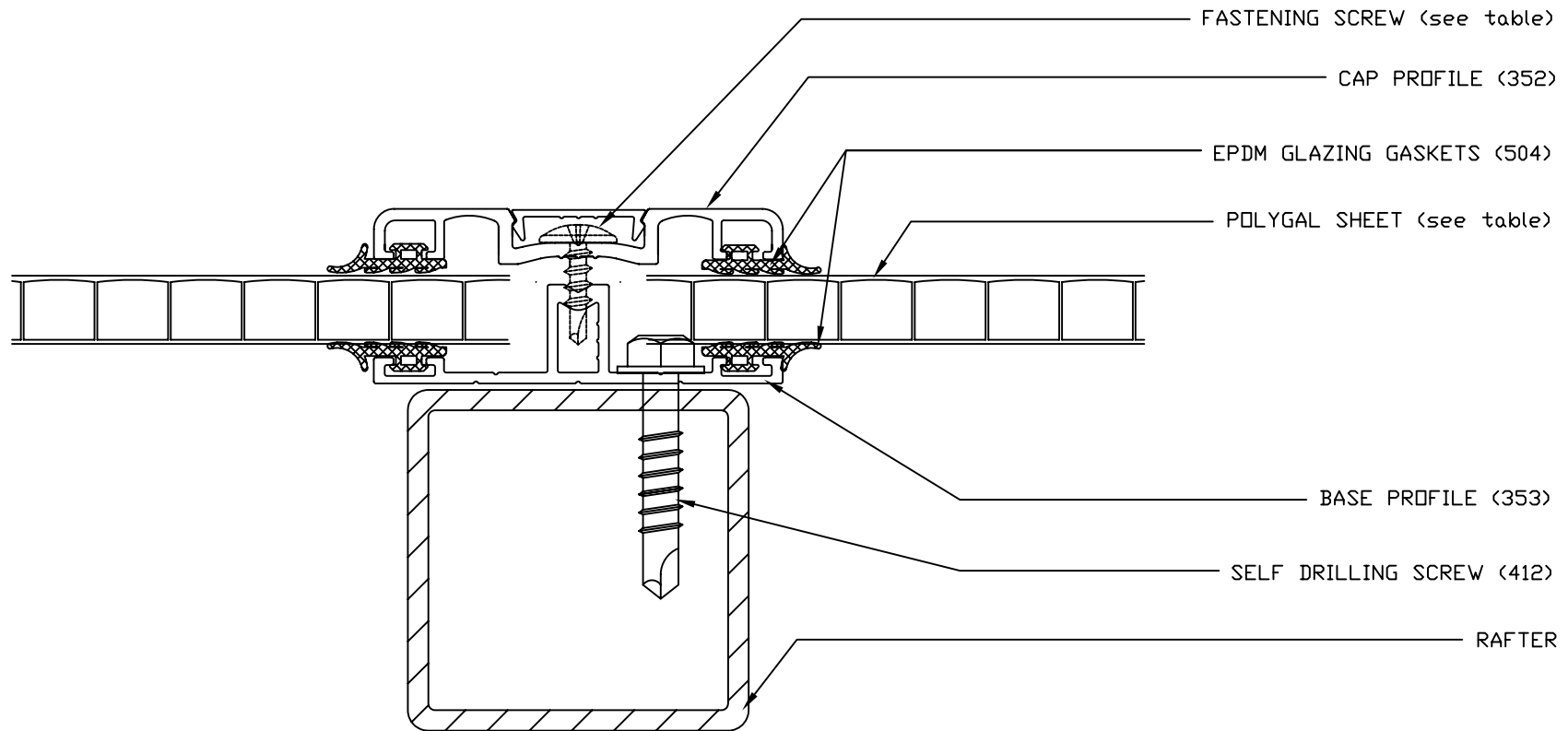
POLYGAL TECHNICAL SUPPORT  
**FOR REVIEW ONLY**



www.polygal.com · techsupport@polygal.com BRINGS NATURE IN

# CONNECTION DETAIL

## MEGA LOCK ALUMINIUM GLAZING SYSTEM

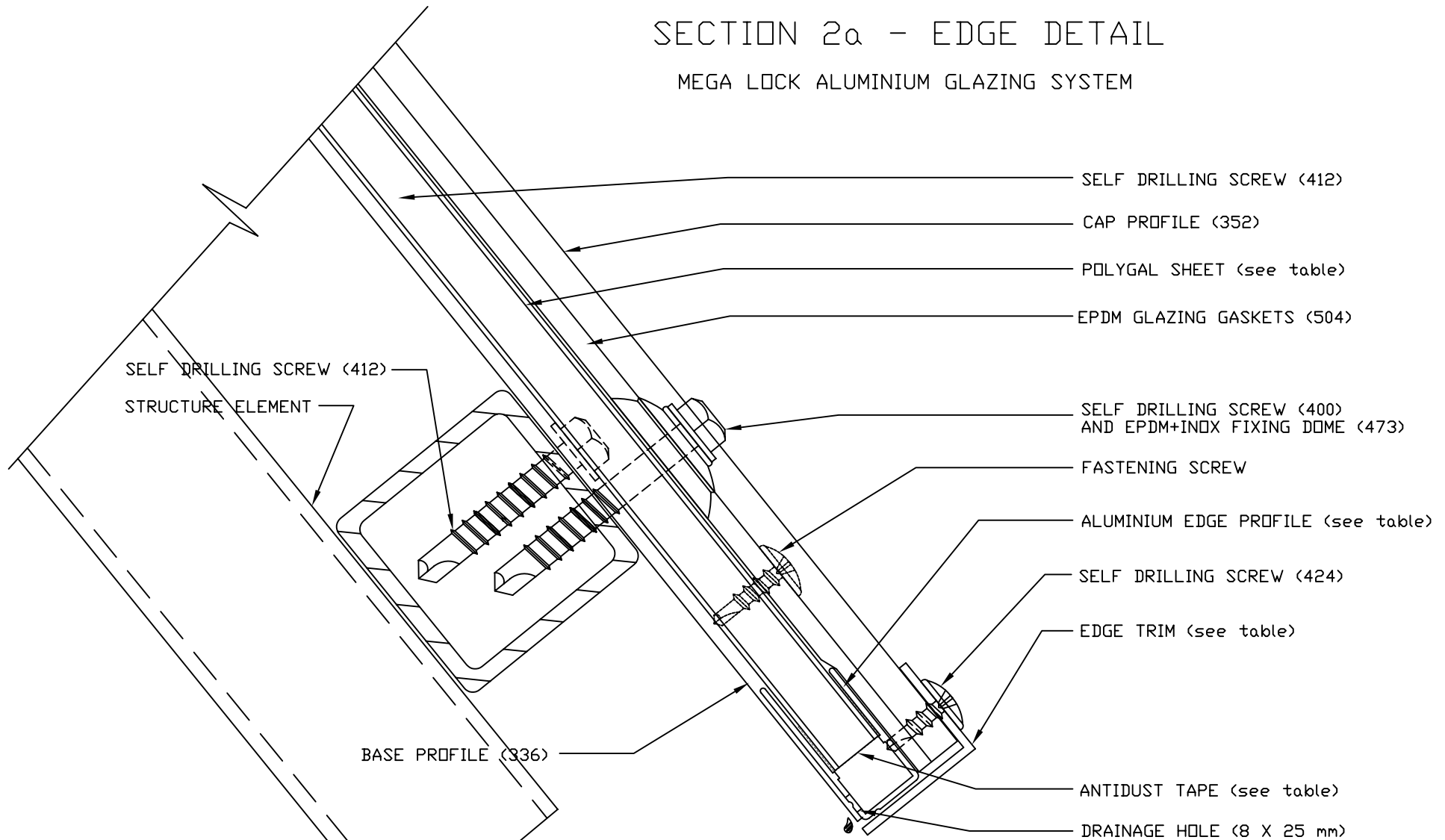


ACCESSORIES TABLE

SHEET THICKNESS	SCREW #
8 mm (5/16")	431
10 mm (3/8")	431
16 mm (5/8")	430

# SECTION 2a - EDGE DETAIL

## MEGA LOCK ALUMINIUM GLAZING SYSTEM

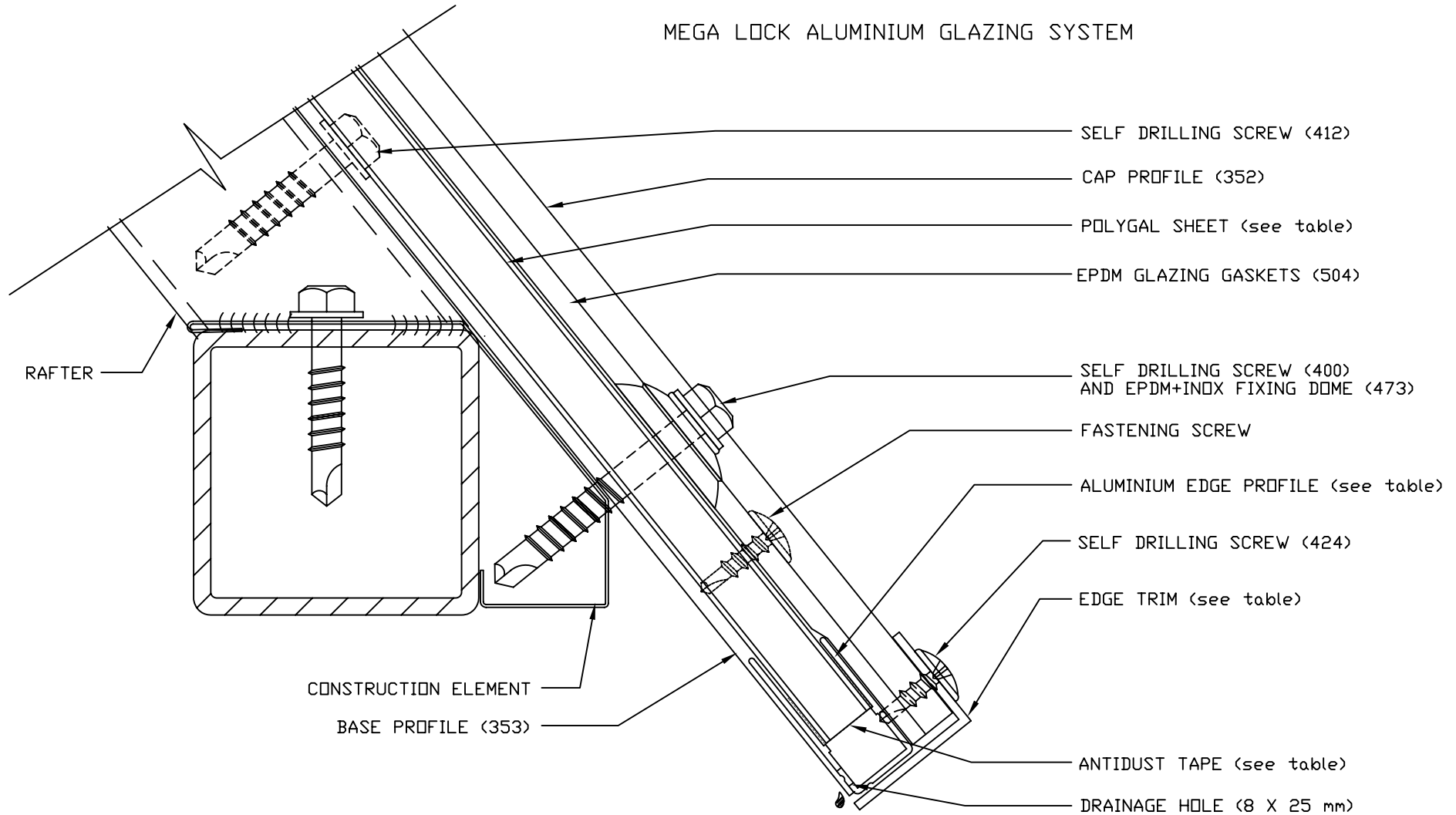


ACCESSORIES TABLE

SHEET THICKNESS	EDGE PROFILE#	SCREW#	ANTIDUST TAPE	EDGE TRIM#
8 mm (5/16")	311	431	508	481
10 mm (3/8")	312	431	509	481
16 mm (5/8")	313	430	509	482

# SECTION 2a - EDGE DETAIL

## MEGA LOCK ALUMINIUM GLAZING SYSTEM



SELF DRILLING SCREW (412)

CAP PROFILE (352)

POLYGAL SHEET (see table)

EPDM GLAZING GASKETS (504)

SELF DRILLING SCREW (400)  
AND EPDM+INOX FIXING DOME (473)

FASTENING SCREW

ALUMINIUM EDGE PROFILE (see table)

SELF DRILLING SCREW (424)

EDGE TRIM (see table)

ANTIDUST TAPE (see table)

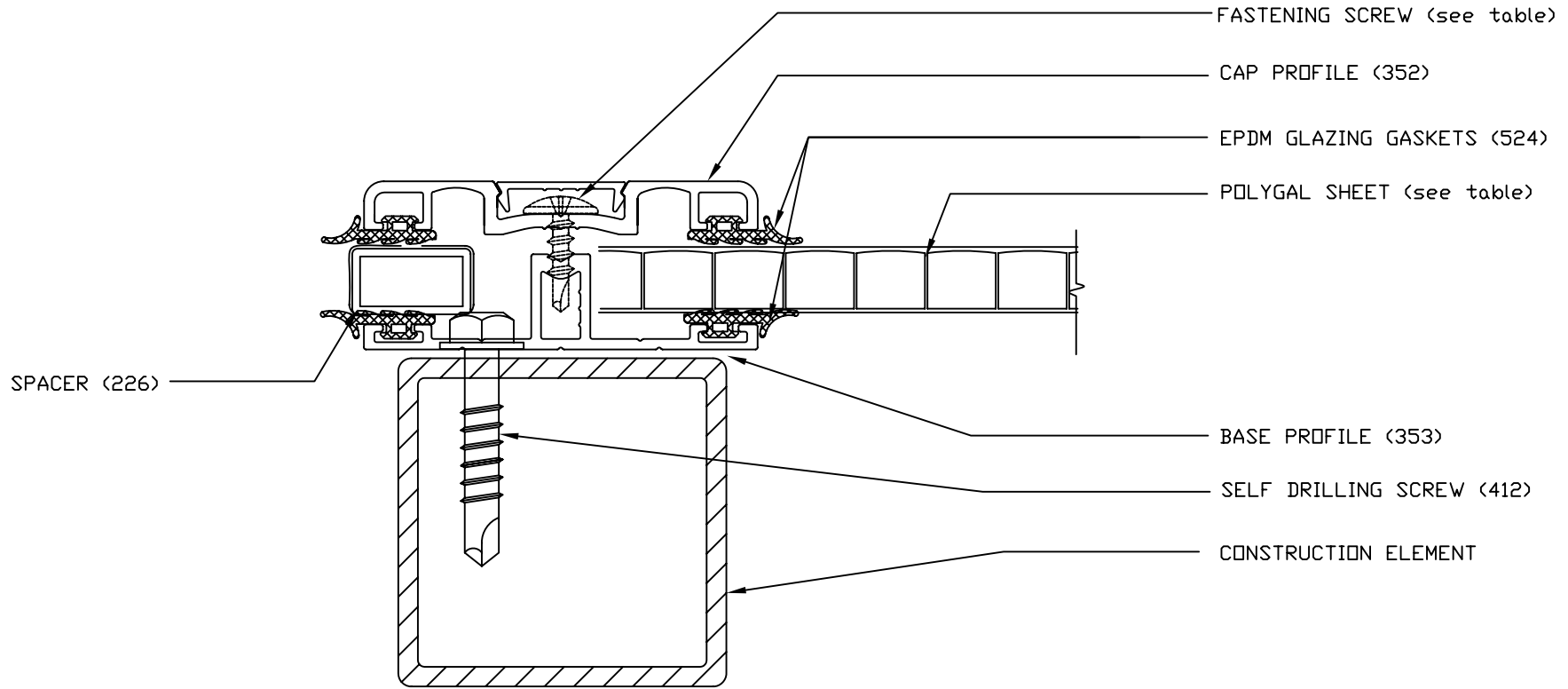
DRAINAGE HOLE (8 X 25 mm)

ACCESSORIES TABLE

SHEET THICKNESS	EDGE PROFILE#	SCREW#	ANTIDUST TAPE	EDGE TRIM#
8 mm (5/16")	311	431	508	481
10 mm (3/8")	312	431	509	481
16 mm (5/8")	313	430	509	482

# SECTION 3c - SIDE DETAIL

## MEGA LOCK ALUMINIUM GLAZING SYSTEM

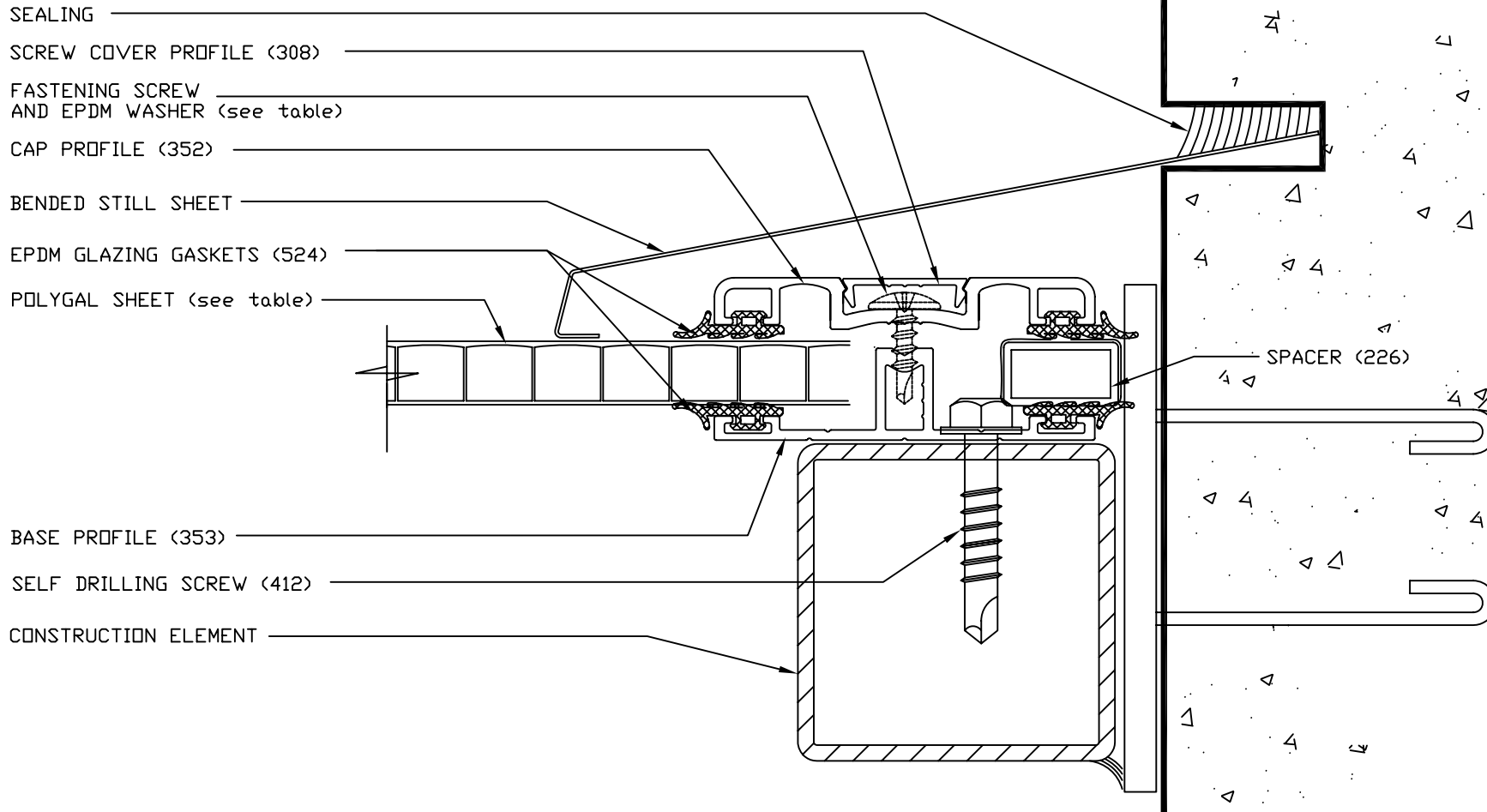


ACCESSORIES TABLE

SHEET THICKNESS	SCREW#
8 mm (5/16")	431
10 mm (3/8")	431
16 mm (5/8")	430

# SECTION 3b - SIDE DETAIL

## Mega Lock ALUMINIUM GLAZING SYSTEM

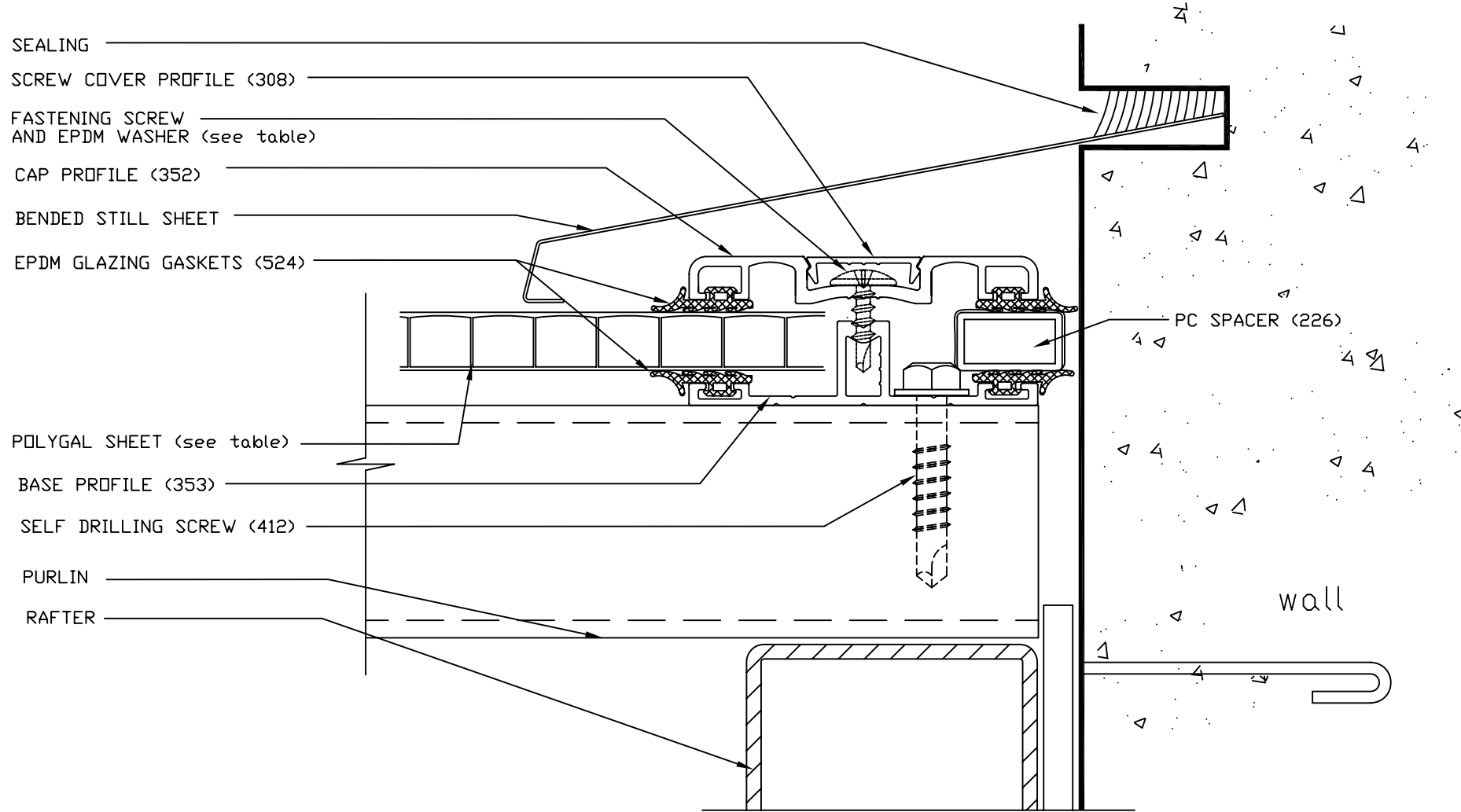


ACCESSORIES TABLE

SHEET THICKNESS	SCREW#
8 mm (5/16")	431
10 mm (3/8")	431
16 mm (5/8")	430

# SECTION 3a - SIDE DETAIL

## MEGA LOCK ALUMINIUM GLAZING SYSTEM

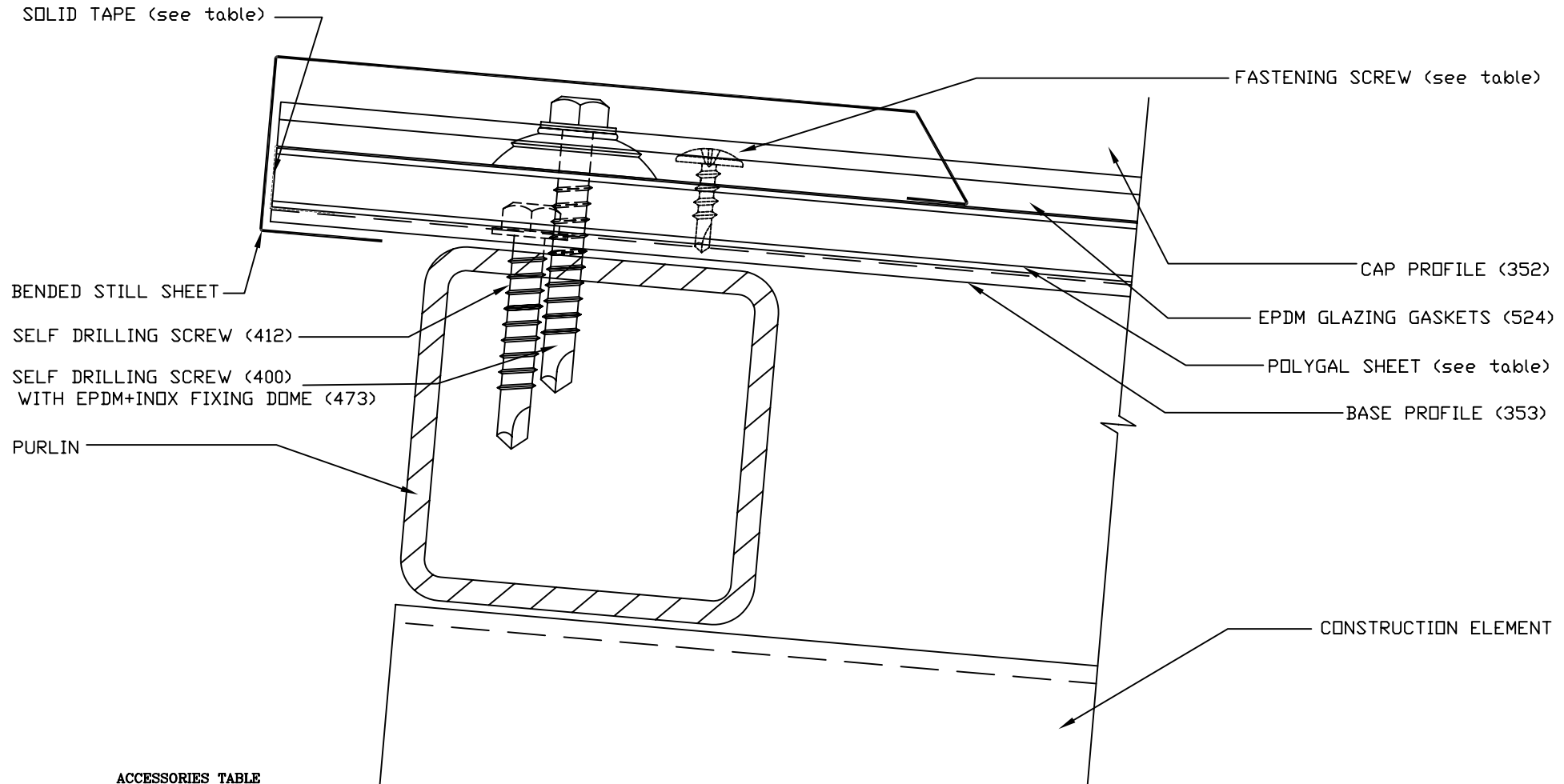


**ACCESSORIES TABLE**

SHEET THICKNESS	SCREW#
8 mm (5/16")	431
10 mm (3/8")	431
16 mm (5/8")	430

# SECTION 4A - TOP DETAIL

## Mega Lock ALUMINIUM GLAZING SYSTEM

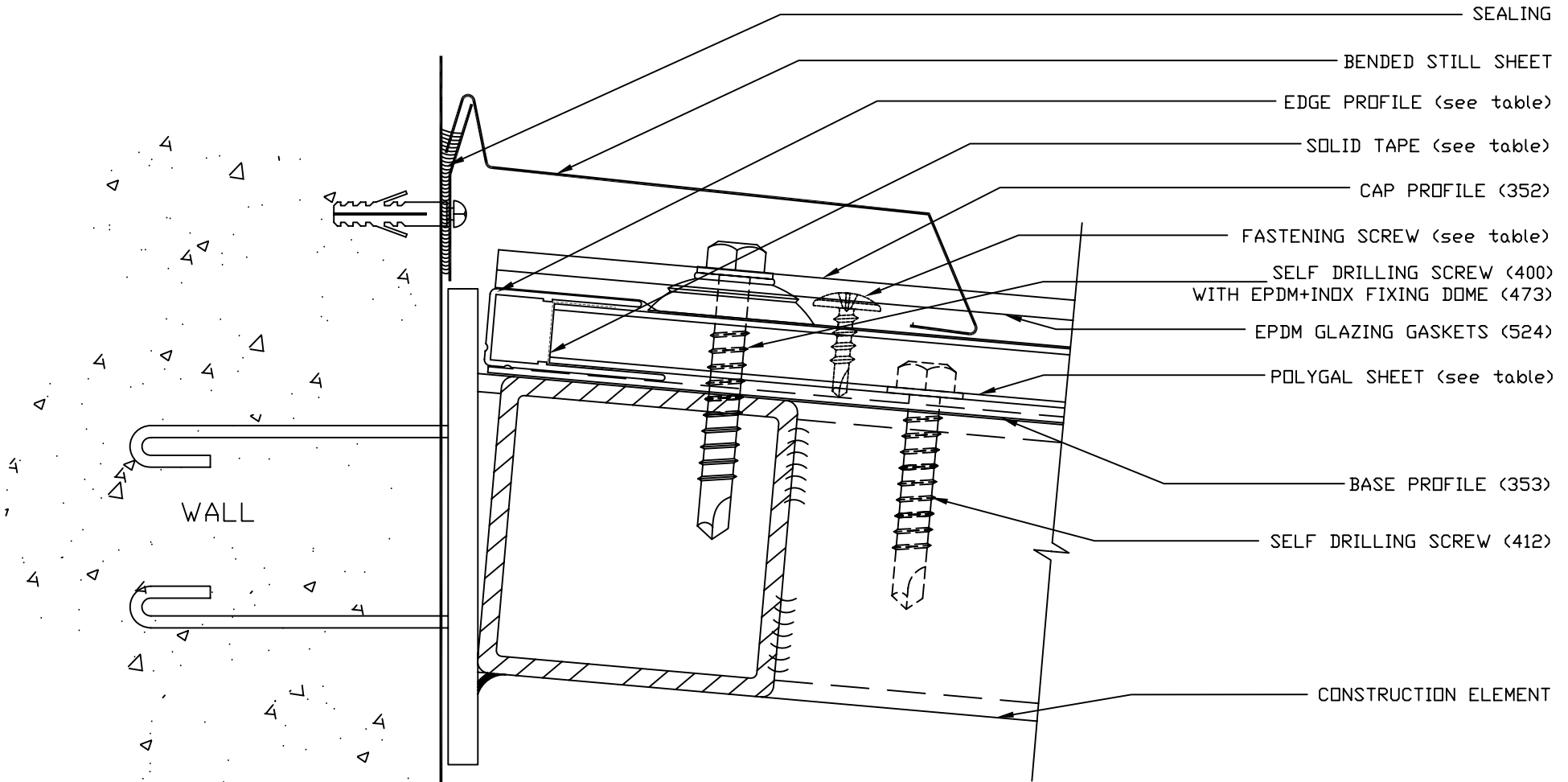


ACCESSORIES TABLE

SOLID TAPE#	SCREW#	EDGE PROFILE#	SHEET THICKNESS
512	431	311	8 mm (5/16")
513	431	312	10 mm (3/8")
513	430	313	16 mm (5/8")

# SECTION 4A - TOP DETAIL (WALL CONNECTION)

Mega Lock ALUMINIUM GLAZING SYSTEM



ACCESSORIES TABLE

SOLID TAPE#	SCREW#	EDGE PROFILE#	SHEET THICKNESS
512	431	311	8 mm (5/16")
513	431	312	10 mm (3/8")
513	430	313	16 mm (5/8")

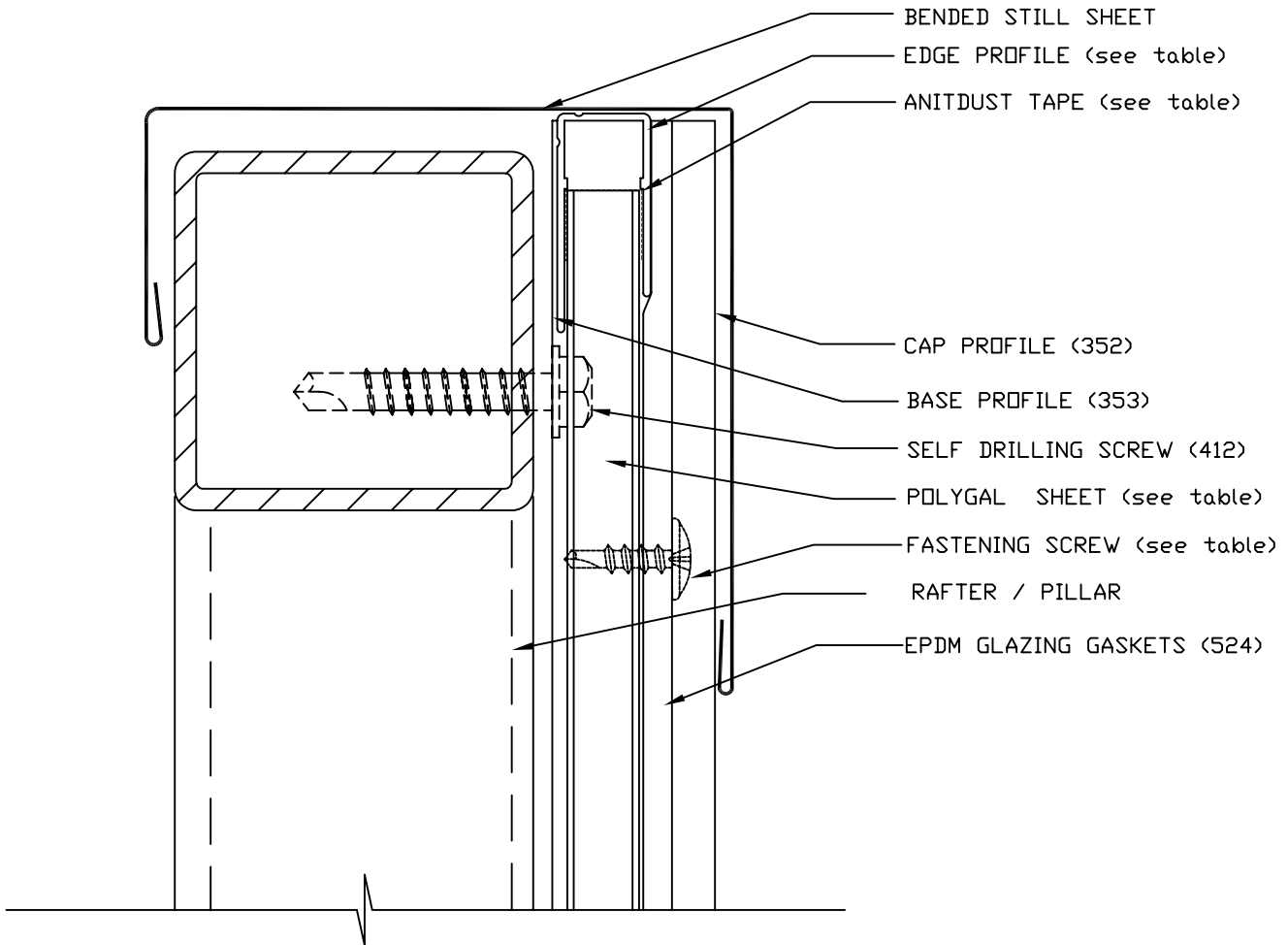
POLYGAL TECHNICAL SUPPORT  
**FOR REVIEW ONLY**



www.polygal.com · techsupport@polygal.com BRINGS NATURE IN

# TOP CONNECTION DETAIL

## MEGA LOCK GLAZING SYSTEM

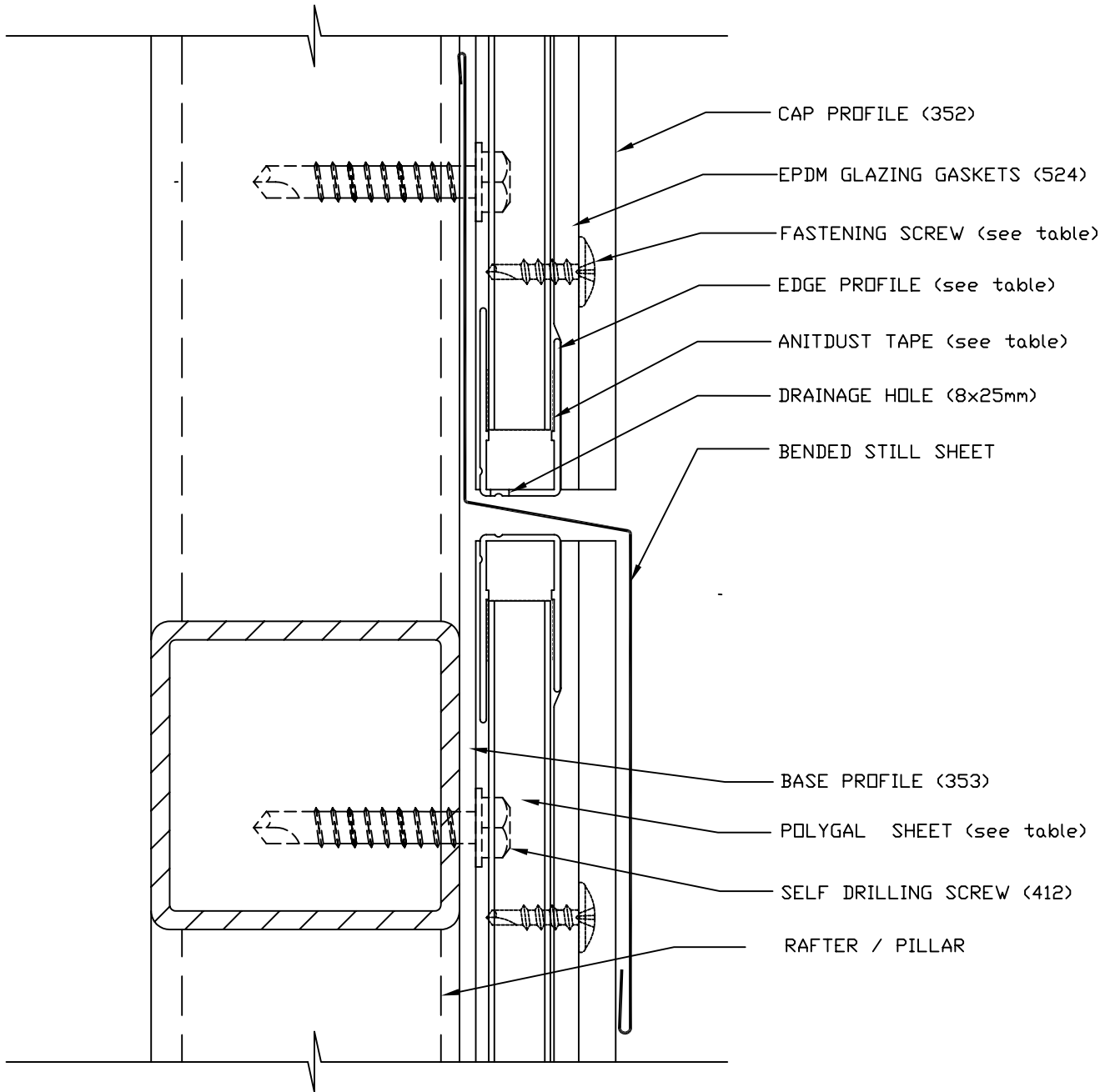


ACCESSORIES TABLE

SHEET THICKNESS	EDGE PROFILE#	SCREW#	ANTIDUST TAPE
8 mm (5/16")	311	431	508
10 mm (3/8")	312	431	509
16 mm (5/8")	313	430	509

# SILL CONNECTION DETAIL

## MEGA LOCK GLAZING SYSTEM



ACCESSORIES TABLE

SHEET THICKNESS	EDGE PROFILE#	SCREW#	ANTIDUST TAPE
8 mm (5/16")	311	431	508
10 mm (3/8")	312	431	509
16 mm (5/8")	313	430	509

POLYGAL TECHNICAL SUPPORT  
**FOR REVIEW ONLY**

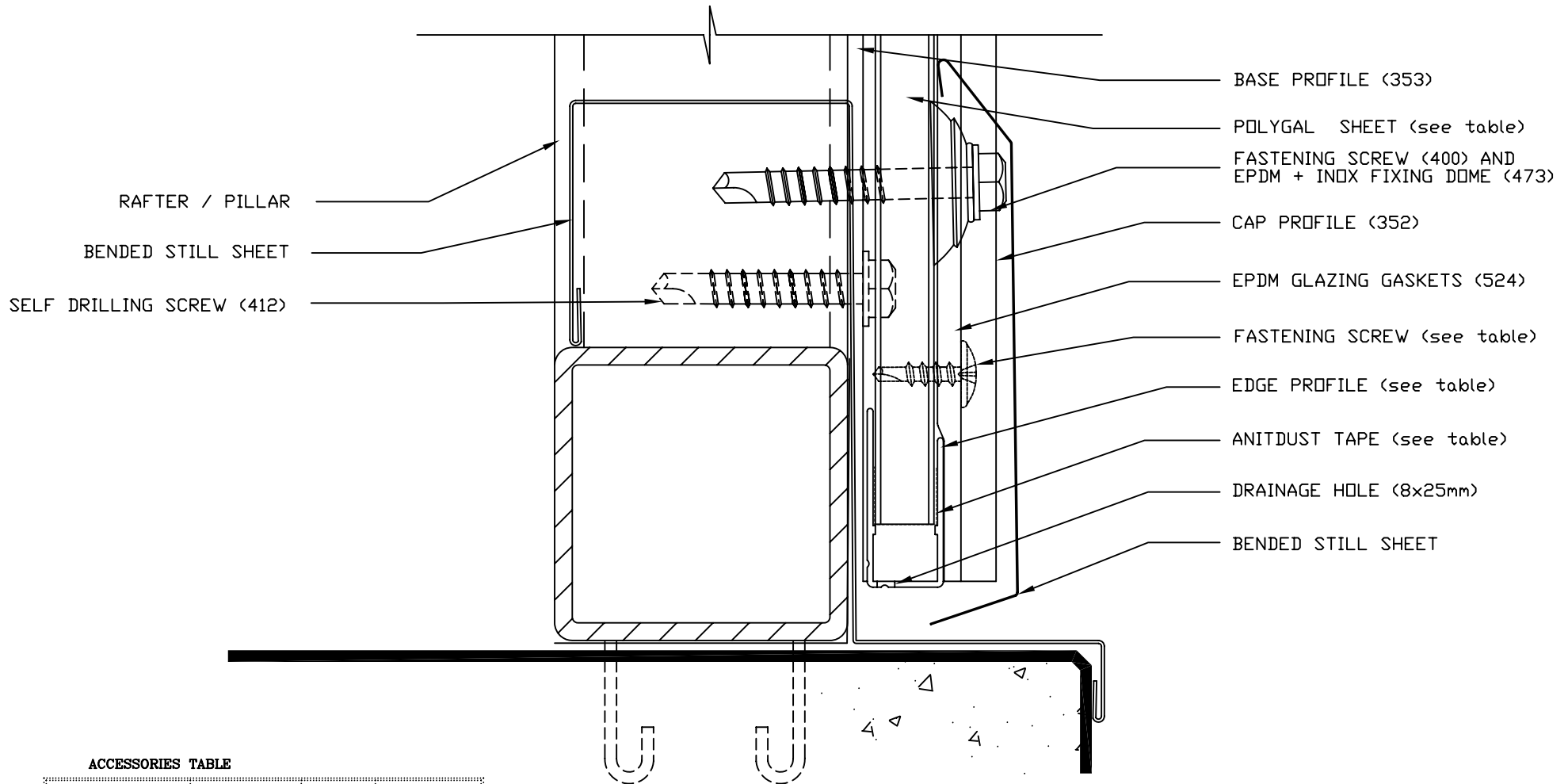
[www.polygal.com](http://www.polygal.com) · [techsupport@polygal.com](mailto:techsupport@polygal.com)



BRINGS NATURE IN

# SILL CONNECTION DETAIL

## MEGA LOCK GLAZING SYSTEM



ACCESSORIES TABLE

SHEET THICKNESS	EDGE PROFILE#	SCREW#	ANTIDUST TAPE
8 mm (5/16")	311	431	508
10 mm (3/8")	312	431	509
16 mm (5/8")	313	430	509