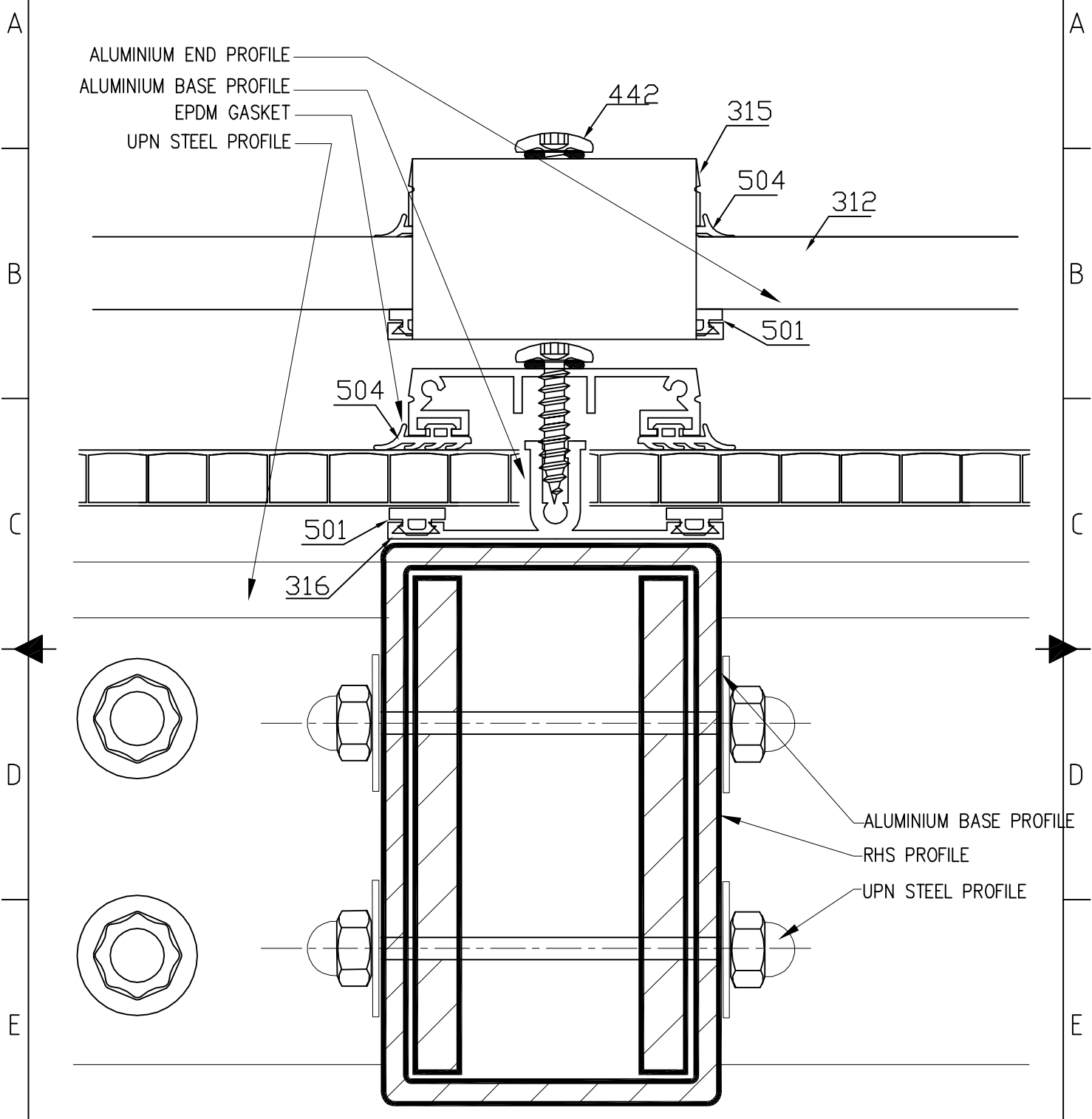


1	2	3	4
RevNo	Revision note	Date	Signature
			Checked



POLYGAL[®]

PLASTICS INDUSTRIES LTD.

* The information in these drawing is intended for review only. Polygal is not, and will not be responsible for any damage or loss caused by incorrect use of the drawing and/or erroneous interpretation of the drawing. Always consult with an architect and certified civil engineer when applying the drawing on building.

ITEM REF	QUANTITY	TITLE/NAME, DESIGNATION, MATERIAL, DIMENSION ETC			ARTICLE NO./REFERENCE	
DESIGNED BY	CHECKED BY	APPROVED BY - DATE	FILENAME	DATE	SCALE	
POLYGAL IL	RAMAT HASHOFET 19238 Tel: 972-4-9596222 Fax: 972-4-9596382, E-mail: sales@polygal.co.il			XXX		
POLYGAL U.S.A Inc.	2277 Barberry Drive, Jenesville WI 53545 Fax: 1-608-757-1925 Tel: 1-608-757-1313, 1-800-537-0035 E-mail: sales@polygalusa.com					
POLYGAL U.K Ltd	2 North Crawley Road, Newport Pagnell Milton Keynes MK 15 9HG Tel: 44-1908-217 054 Fax: 44-1908-210 942 E-mail: polygal@btinternet.com			X	EDITION	SHEET