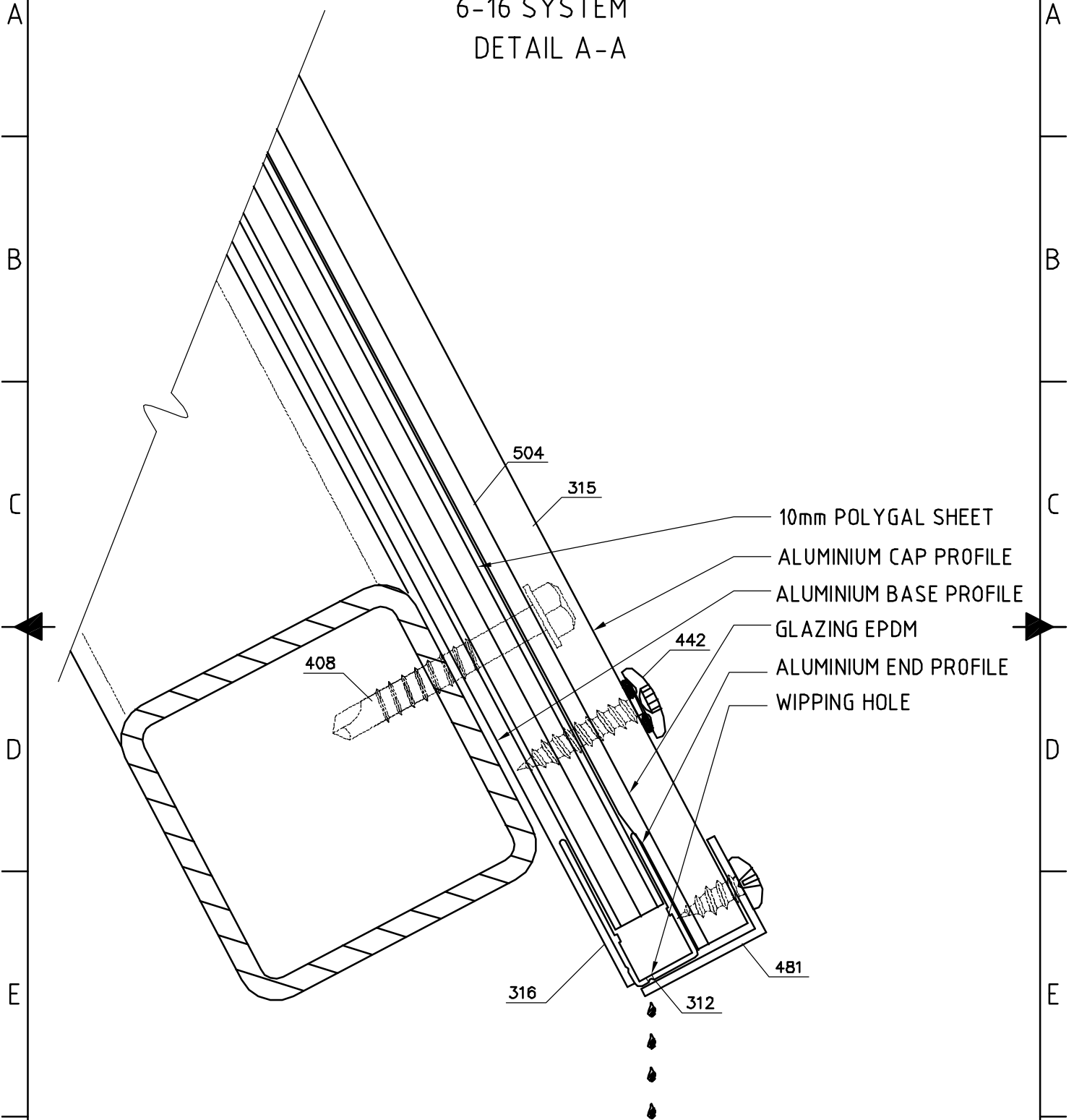


1	2	3	4
<b>RevNo</b>	<b>Revision note</b>	<b>Date</b>	<b>Signature</b> <b>Checked</b>

**EDGE DETAIL**  
6-16 SYSTEM  
DETAIL A-A



- 10mm POLYGAL SHEET
- ALUMINIUM CAP PROFILE
- ALUMINIUM BASE PROFILE
- GLAZING EPDM
- ALUMINIUM END PROFILE
- WIPPING HOLE

**POLYGAL®**

**PLASTICS INDUSTRIES LTD.**

\* The information in these drawing is intended for review only.Polygal is not, and will not be responsible for any damage or loss caused by incorrect use of the drawing and/or erroneous interpretation of the drawing . Always consult with an architect and certified civil engineer when applying the drawing on building.

ITEM REF	QUANTITY	TITLE/NAME, DESIGNATION, MATERIAL, DIMENSION ETC	ARTICLE NO./REFERENCE
<b>DESIGNED BY</b>	<b>CHECKED BY</b>	<b>APPROVED BY - DATE</b>	<b>FILENAME</b> <b>DATE</b> <b>SCALE</b>
POLYGAL IL	RAMAT HASHOFET 19239 Tel: 972-4-9596222 Fax: 972-4-9596382 , E-mail: sales@polygal.co.il		XXX
POLYGAL U.S.A Inc.	2277 Barbary Drive, Jenesville WI 53545 Fax: 1-608-757 1925 Tel: 1-608-757 1302; 1-800 537 0025 E-mail: sales@polygalusa.com		
POLYGAL U.K Ltd	2 North Crowley Road, Newport Pagnell Milton Keynes MK 16 5HG Tel: 44-1908-27 054 Fax: 44-1908-210 942 E-mail: polygal@btinternet.com	X	<b>EDITION</b> <b>SHEET</b>