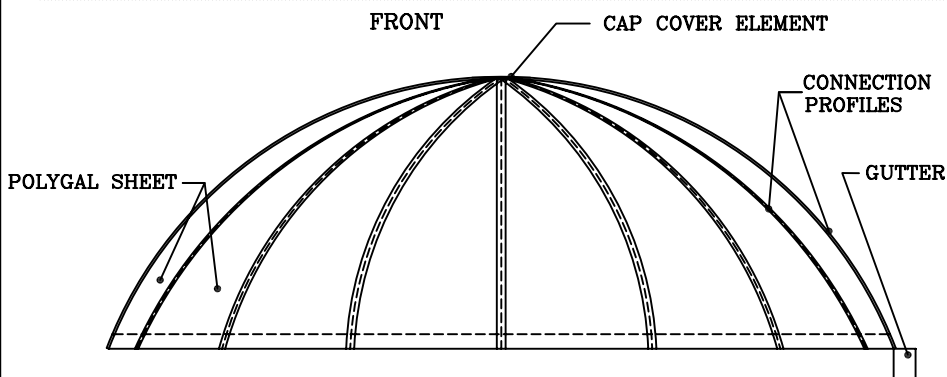
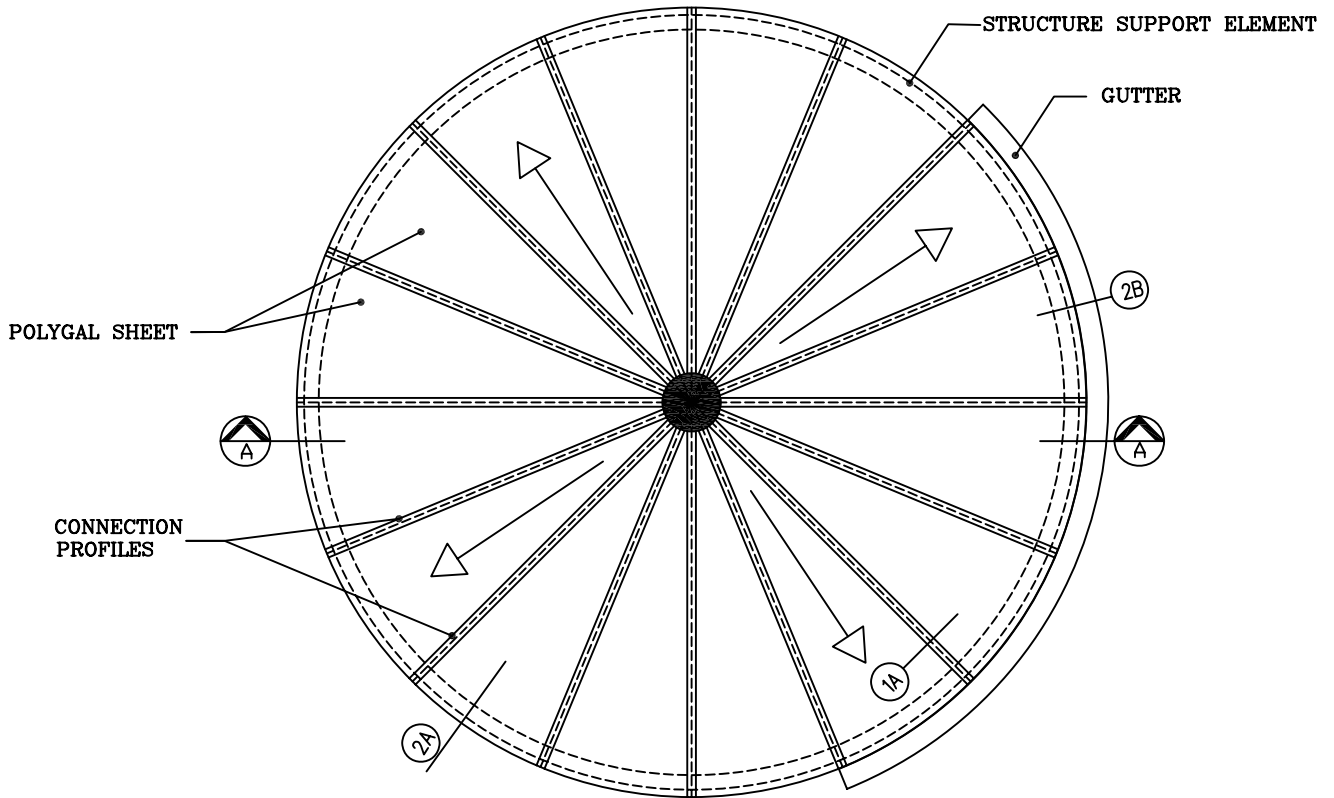
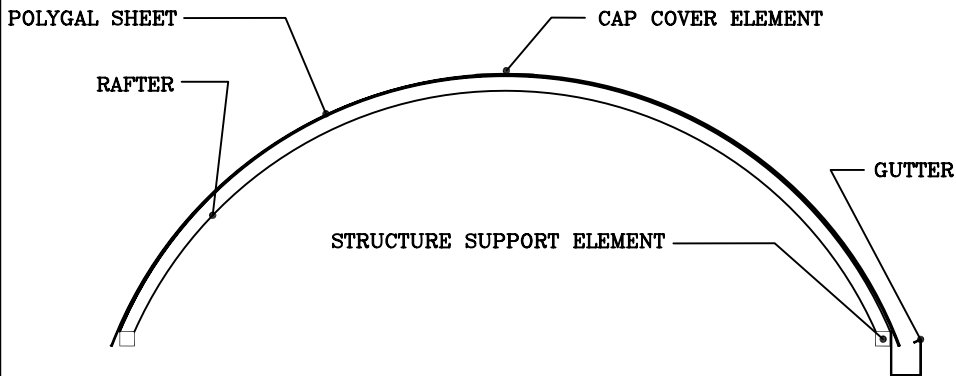


Roof Design – Dome Structure



Section A-A



Drawing details

- 1A - SHEET CONNECTION ABOVE RAFTER
- 2A - BOTTOM EDGE DETAIL
- 2B - GUTTER CONNECTION DETAIL

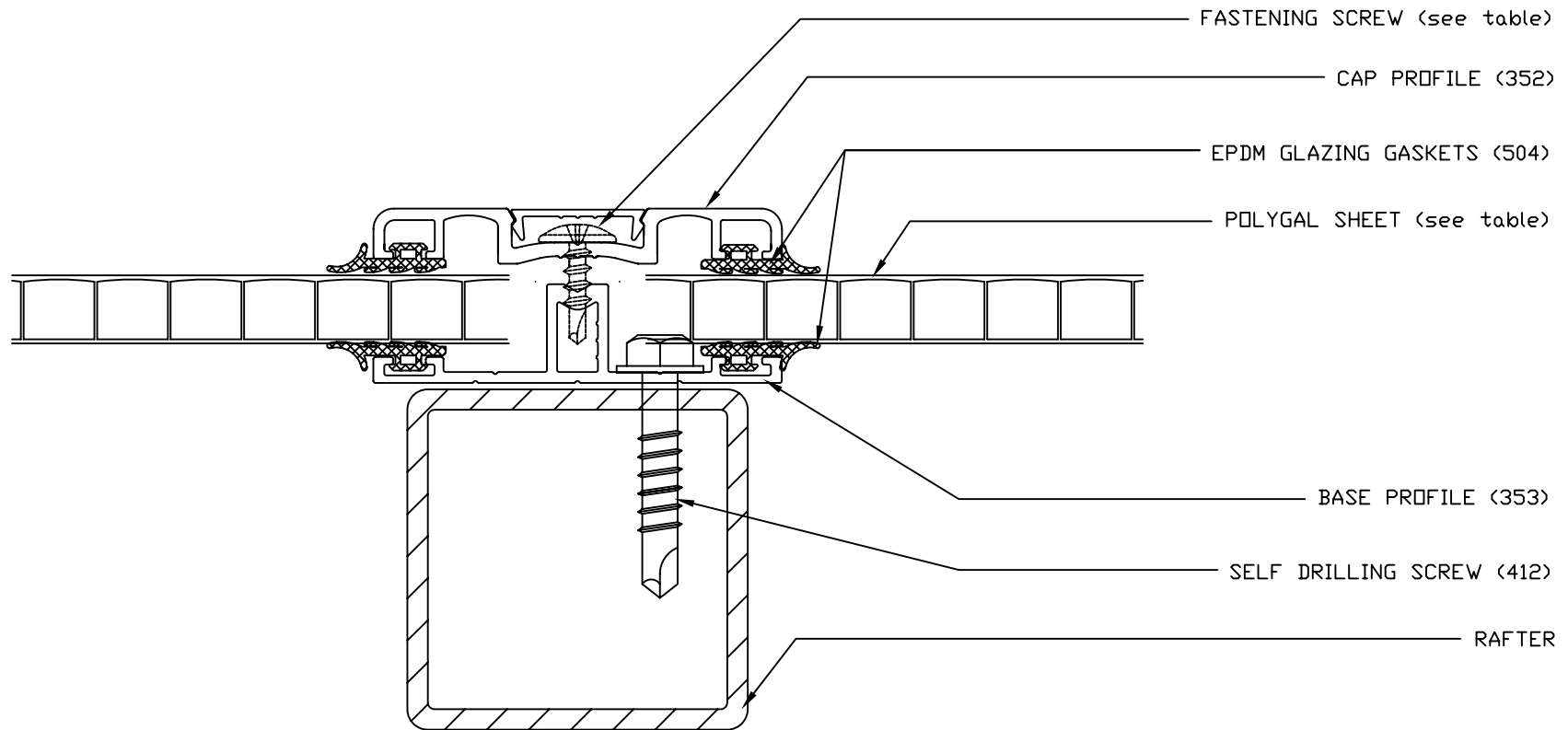
POLYGAL TECHNICAL SUPPORT
FOR REVIEW ONLY



www.polygal.com · techsupport@polygal.com BRINGS NATURE IN

CONNECTION DETAIL

MEGA LOCK ALUMINIUM GLAZING SYSTEM

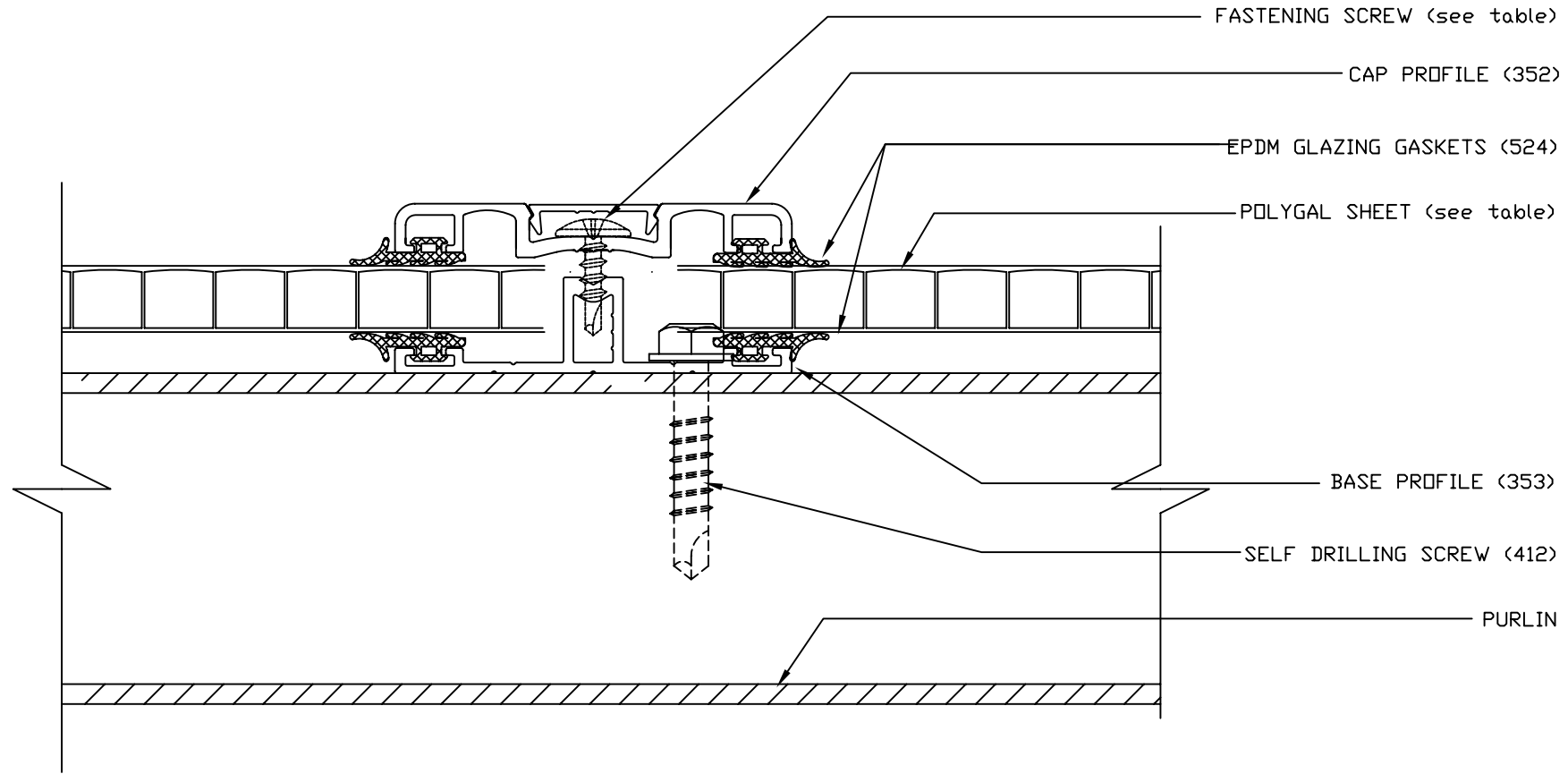


ACCESSORIES TABLE

SHEET THICKNESS	SCREW #
8 mm (5/16")	431
10 mm (3/8")	431
16 mm (5/8")	430

CONNECTION DETAIL

Mega Lock ALUMINIUM GLAZING SYSTEM



ACCESSORIES TABLE

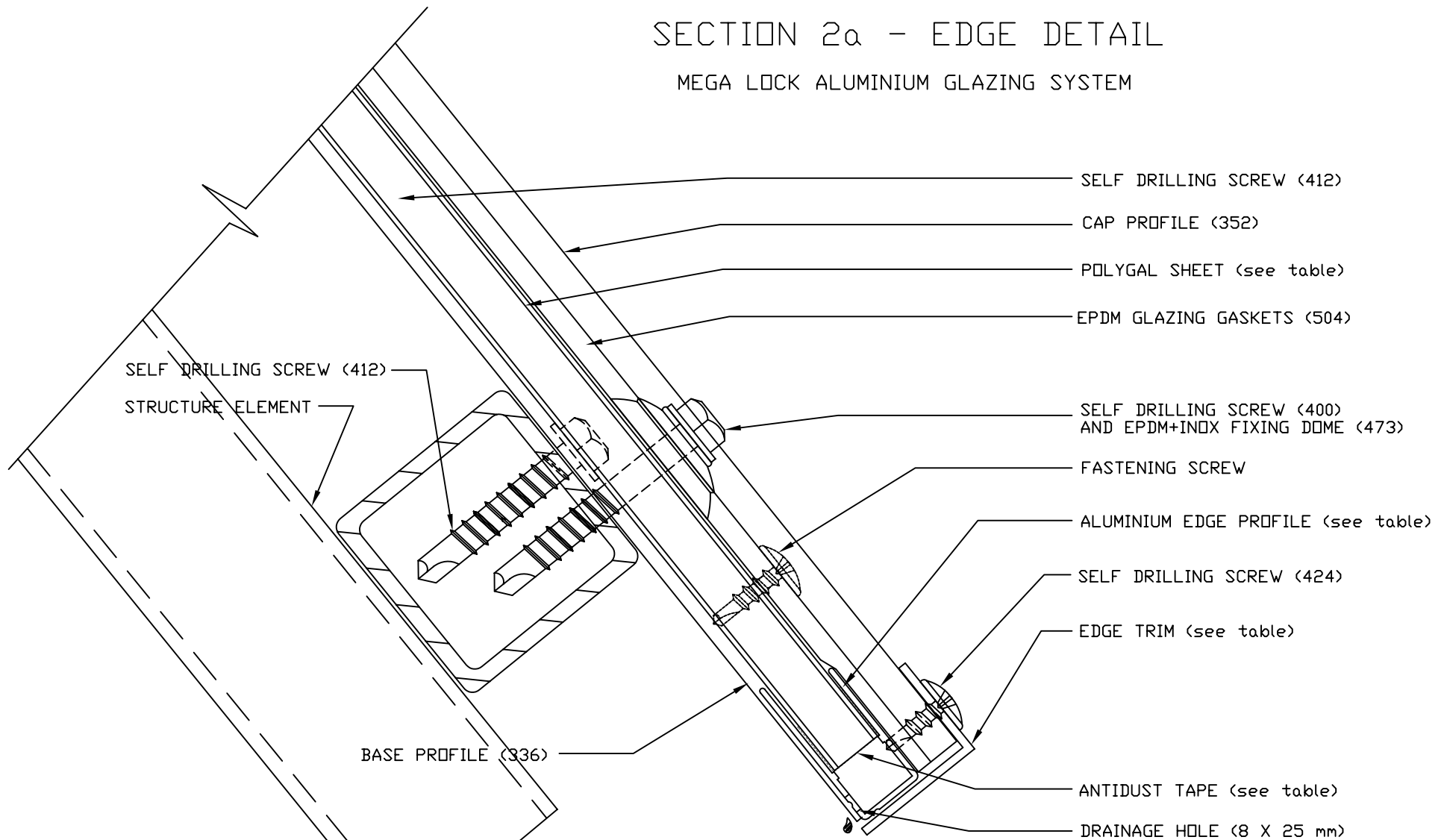
SHEET THICKNESS	SCREW #
8 mm (5/16")	431
10 mm (3/8")	431
16 mm (5/8")	430

POLYGAL TECHNICAL SUPPORT
FOR REVIEW ONLY

www.polygal.com · techsupport@polygal.com
BRINGS NATURE IN

SECTION 2a - EDGE DETAIL

MEGA LOCK ALUMINIUM GLAZING SYSTEM



ACCESSORIES TABLE

SHEET THICKNESS	EDGE PROFILE#	SCREW#	ANTIDUST TAPE	EDGE TRIM#
8 mm (5/16")	311	431	508	481
10 mm (3/8")	312	431	509	481
16 mm (5/8")	313	430	509	482

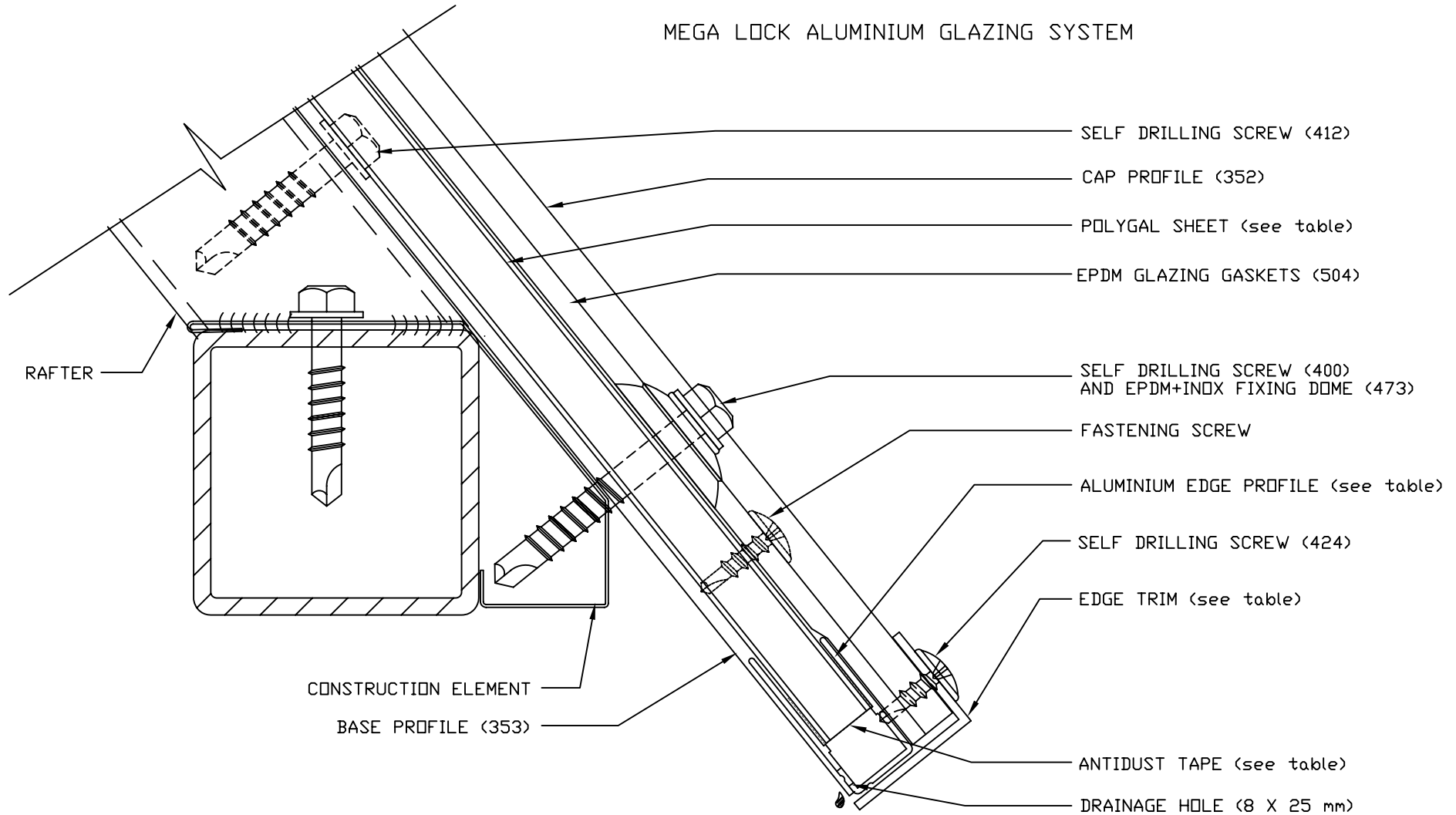
POLYGAL TECHNICAL SUPPORT
FOR REVIEW ONLY
www.polygal.com · techsupport@polygal.com



BRINGS NATURE IN

SECTION 2a - EDGE DETAIL

MEGA LOCK ALUMINIUM GLAZING SYSTEM



SELF DRILLING SCREW (412)

CAP PROFILE (352)

POLYGAL SHEET (see table)

EPDM GLAZING GASKETS (504)

SELF DRILLING SCREW (400)
AND EPDM+INOX FIXING DOME (473)

FASTENING SCREW

ALUMINIUM EDGE PROFILE (see table)

SELF DRILLING SCREW (424)

EDGE TRIM (see table)

ANTIDUST TAPE (see table)

DRAINAGE HOLE (8 X 25 mm)

ACCESSORIES TABLE

SHEET THICKNESS	EDGE PROFILE#	SCREW#	ANTIDUST TAPE	EDGE TRIM#
8 mm (5/16")	311	431	508	481
10 mm (3/8")	312	431	509	481
16 mm (5/8")	313	430	509	482