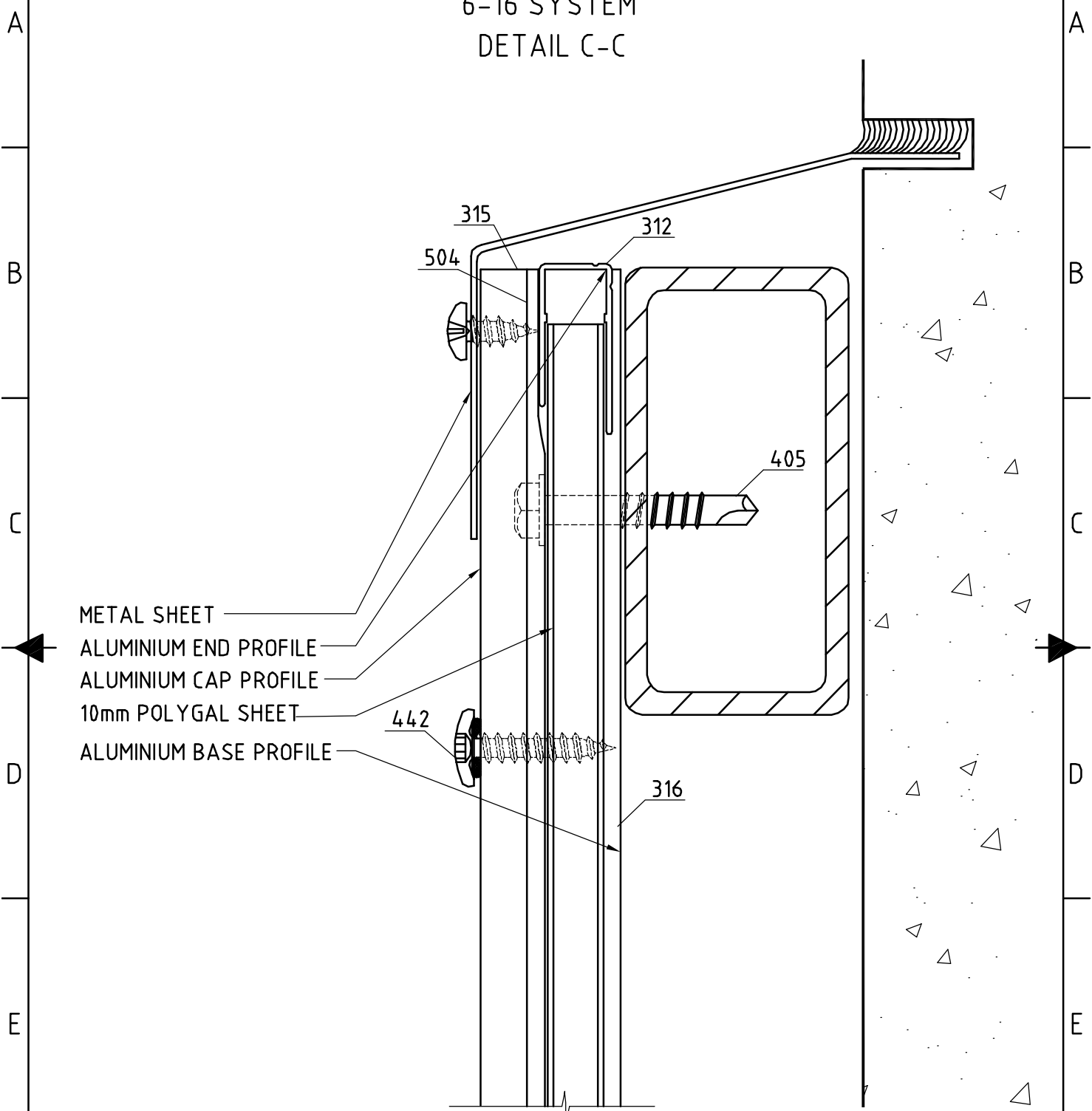


HEAD DETAIL

6-16 SYSTEM

DETAIL C-C



- METAL SHEET
- ALUMINIUM END PROFILE
- ALUMINIUM CAP PROFILE
- 10mm POLYGAL SHEET
- ALUMINIUM BASE PROFILE

315
504
312
405
442
316



PLASTICS INDUSTRIES LTD.

* The information in these drawing is intended for review only. Polygal is not, and will not be responsible for any damage or loss caused by incorrect use of the drawing and/or erroneous interpretation of the drawing. Always consult with an architect and certified civil engineer when applying the drawing on building.

ITEM REF	QUANTITY	TITLE/NAME, DESIGNATION, MATERIAL, DIMENSION ETC	ARTICLE NO./REFERENCE
DESIGNED BY	CHECKED BY	APPROVED BY - DATE	FILENAME
			DATE
			SCALE
POLYGAL IL	RAMAT HASHOFET 19239 Tel: 972-4-9556222 Fax: 972-4-9556382, E-mail: sales@polygal.co.il		XXX
POLYGAL U.S.A Inc.	2277 Barbary Drive, Jeneseville WI 53545 Fax: 1-608-757-1925 Tel: 1-608-757-1302, 1-800-537-0025 E-mail: sales@polygalusa.com		
POLYGAL U.K Ltd	2 North Crowley Road, Newport Pagnell Milton Keynes MK 16 5HG Tel: 44-1908-271 054 Fax: 44-1908-210 942 E-mail: polygal@btinternet.com	X	EDITION SHEET