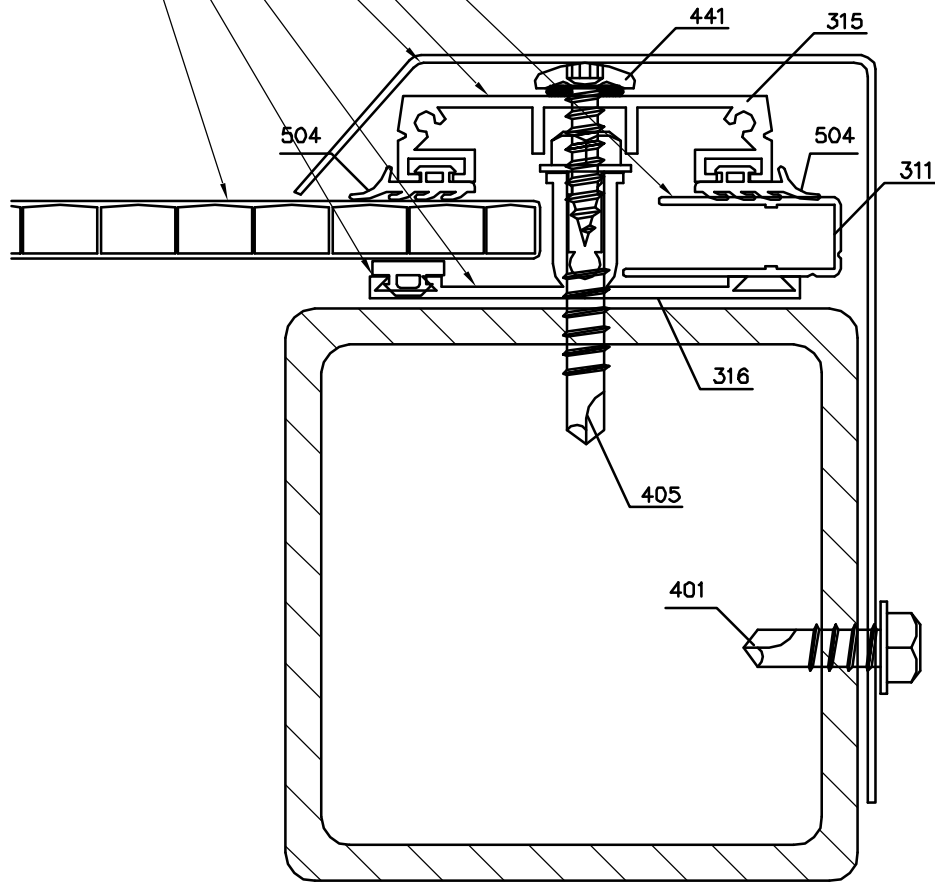


SIDE DETAIL
6-16 SYSTEM
DETAIL A-A

- ALUMINIUM END PROFILE
- ALUMINIUM CAP PROFILE
- METAL SHEET
- ALUMINIUM BASE PROFILE
- GLAZING EPDM
- 8mm POLYGAL SHEET



* The information in these drawing is intended for review only. Polygal is not, and will not be responsible for any damage or loss caused by incorrect use of the drawing and/or erroneous interpretation of the drawing. Always consult with an architect and certified civil engineer when applying the drawing on building.

ITEM REF	QUANTITY	TITLE/NAME, DESIGNATION, MATERIAL, DIMENSION ETC	ARTICLE NO./REFERENCE
DESIGNED BY	CHECKED BY	APPROVED BY - DATE	FILENAME
			DATE
			SCALE
POLYGAL IL		RAMAT HASHOFET 19239 Tel: 972-4-9596222 Fax: 972-4-9596382, E-mail: sales@polygal.co.il	XXX
POLYGAL U.S.A Inc.		127 Barbary Drive, Janesville, WI 53545 Fax: 1-800-757-1915 Tel: 1-800-757-1915, 1-800-537-0266 E-mail: sales@polygalusa.com	
POLYGAL U.K Ltd		2 North Cranley Road, Newport Pagnell, Milton Keynes MK16 5HC Tel: 44-1908-217 054 Fax: 44-1908-210 942 E-mail: polygal@btinternet.com	
		X	EDITION
			SHBET

POLYGAL[®]

PLASTICS INDUSTRIES LTD.