

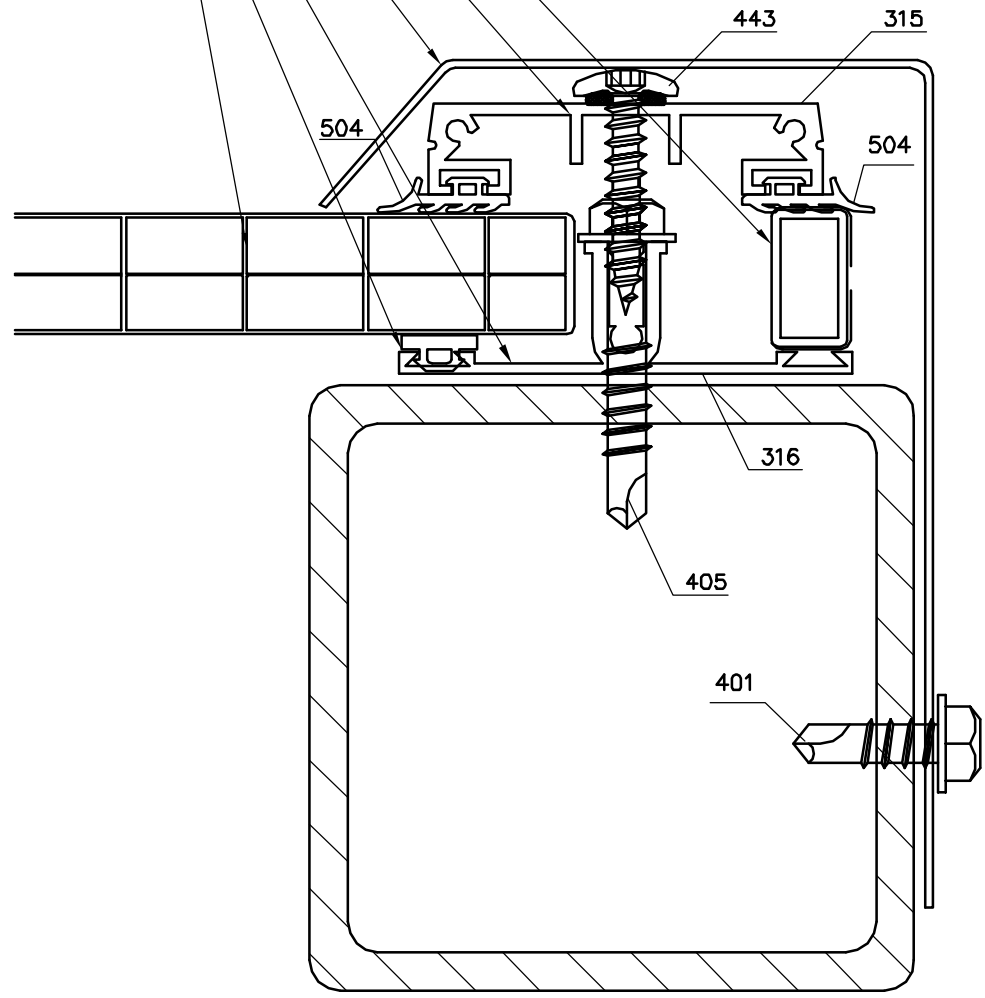
1	2	3	4
RevNo	Revision note	Date	Signature
			Checked

SIDE DETAIL

6-16 SYSTEM

DETAIL A-A

- PC SPASER
- ALUMINIUM CAP PROFILE
- METAL SHEET
- ALUMINIUM BASE PROFILE
- GLAZING EPDM
- 16mm POLYGAL SHEET



POLYGAL®

PLASTICS INDUSTRIES LTD.

* The information in these drawing is intended for review only.Polygal is not, and will not be responsible for any damage or loss caused by incorrect use of the drawing and/or erroneous interpretation of the drawing . Always consult with an architect and certified civil engineer when applying the drawing on building.

ITEM REF	QUANTITY	TITLE/NAME, DESIGNATION, MATERIAL, DIMENSION ETC	ARTICLE NO./REFERENCE
DESIGNED BY	CHECKED BY	APPROVED BY - DATE	FILENAME
			DATE
			SCALE
POLYGAL IL	RAMAT HASHOFET 19239 Tel: 972-4-9596222 Fax: 972-4-9596382 , E-mail: sales@polygal.co.il		XXX
POLYGAL U.S.A Inc.	2277 Barbary Drive, Jenesville WI 53545 Fax: 1-608-757 1925 Tel: 1-608-757 1302 1-800 537 0025 E-mail: sales@polygalusa.com		
POLYGAL U.K Ltd	2 North Crowley Road, Newport Pagnell Milton Keynes MK 16 5HG Tel: 44-1908-271 054 Fax: 44-1908-210 912 E-mail: polygal@btinternet.com		
			EDITION
			SHEET