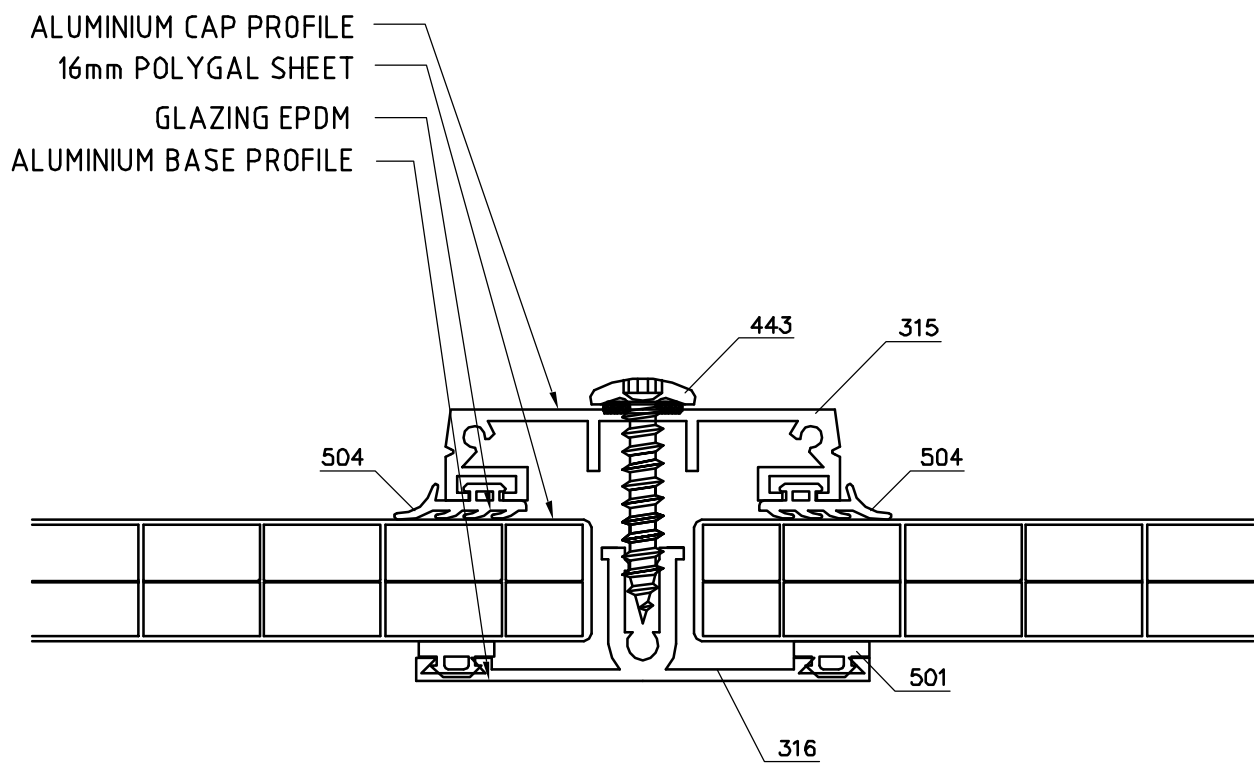


1	2	3	4
<b>RevNo</b>	<b>Revision note</b>	<b>Date</b>	<b>Signature</b> <b>Checked</b>

## CONNECTION DETAIL

### 6-16 SYSTEM

### DETAIL B-B



ALUMINIUM CAP PROFILE  
 16mm POLYGAL SHEET  
 GLAZING EPDM  
 ALUMINIUM BASE PROFILE

443  
 315  
 504  
 504  
 501  
 316



**PLASTICS INDUSTRIES LTD.**

\* The information in these drawing is intended for review only.Polygal is not, and will not be responsible for any damage or loss caused by incorrect use of the drawing and/or erroneous interpretation of the drawing . Always consult with an architect and certified civil engineer when applying the drawing on building.

ITEM REF	QUANTITY	TITLE/NAME, DESIGNATION, MATERIAL, DIMENSION ETC			ARTICLE NO./REFERENCE	
<b>DESIGNED BY</b>	<b>CHECKED BY</b>	<b>APPROVED BY - DATE</b>	<b>FILENAME</b>	<b>DATE</b>	<b>SCALE</b>	
POLYGAL IL	RAMAT HASHOFET 192389 Tel: 972-4-9596222 Fax: 972-4-9596382 , E-mail: sales@polygal.co.il			XXX		
POLYGAL U.S.A Inc.	2277 Barbary Drive, Jenesville WI 53545 Fax: 1-608-757-1925 Tel: 1-608-757-1303; 1-800-537-0025 E-mail: sales@polygalusa.com					
POLYGAL U.K Ltd	2 North Crowley Road, Newport Pagnell Milton Keynes MK 16 5HG Tel: 44-1908-271 054 Fax: 44-1908-210 942 E-mail: polygal@btinternet.com			X	<b>EDITION</b>	<b>SHEET</b>